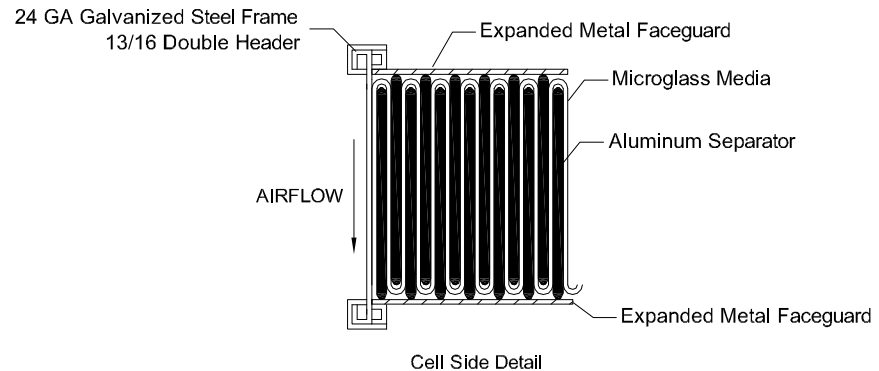
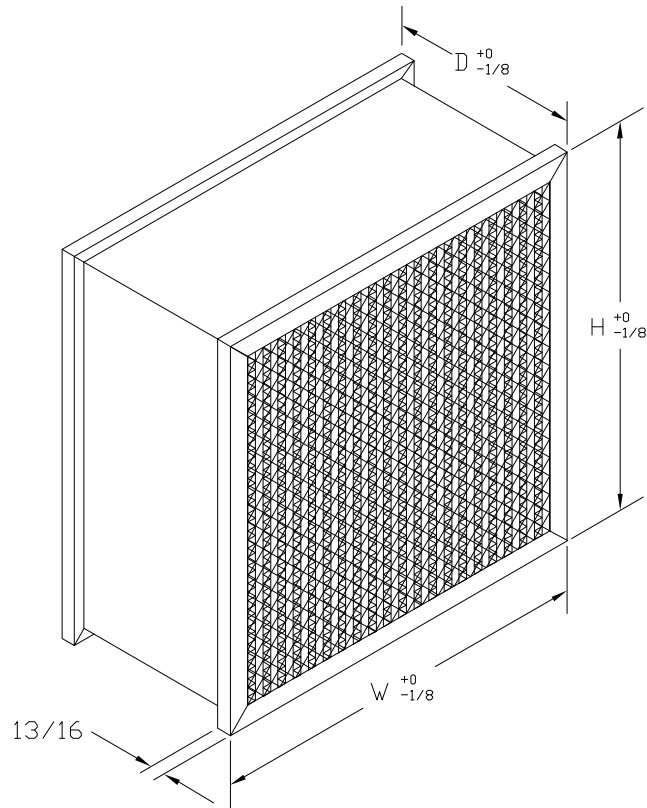


Model Number	Nominal Size (Inches) H x W x D	Actual Size (Inches) H x W x D	Rated Air Flow (CFM)	Initial Resistance (IN W.G.)		Media Area (Square Feet)
				MERV 14	MERV 11	
D*-2-XL	24 x 24 x 12	23-3/8 x 23-3/8 x 11-1/2	2500	.95	.72	152
D*-25-XL	24 x 12 x 12	23-3/8 x 11-3/8 x 11-1/2	1250	.95	.72	76
D*-1-XL	24 x 24 x 6	23-3/8 x 23-3/8 x 5-7/8	1250	.95	.72	70
D*-15-XL	24 x 12 x 6	23-3/8 x 11-3/8 x 5-7/8	635	.95	.72	53
D*-2	24 x 24 x 12	23-3/8 x 23-3/8 x 11-1/2	2000	.70	.45	114
D*-25	24 x 12 x 12	23-3/8 x 11-3/8 x 11-1/2	1000	.70	.45	57
D*-1	24 x 24 x 6	23-3/8 x 23-3/8 x 5-7/8	1000	.70	.45	53
D*-15	24 x 12 x 6	23-3/8 x 11-3/8 x 5-7/8	500	.70	.45	26
D*-35	20 x 20 x 5	19-3/8 x 19-3/8 x 4-7/8	700	.70	.45	30

* - Filter Efficiency (90 = MERV 14, 60 = MERV 11)



STANDARD CONSTRUCTION

1. High Efficiency, Microglass Paper Media
2. Corrugated Aluminum Separators With Rolled Edges
3. High Loft Microglass Wrap Around Media Pack
4. 24 Gauge Galvanized Steel Cell Sides
5. Header on Both Sides: Single Piece U-Channel
6. Expanded Metal Grid Both Sides
7. Caulking on Top and Bottom of the Pack on Air Entering Side
8. Neoprene Gasket on Air-Leaving Side

NOTES

1. Performance Published per ASHRAE 52.2-2007
Filters Tested at 492 FPM on 24x24x12 Nominal Size
2. Final Resistance: 2.5" W.G.
3. Rated Velocity 12" XL Series - 625 FPM
Rated Velocity 6" XL Series - 312 FPM
Rated Velocity 12" D Series - 500 FPM
Rated Velocity 6" D Series - 250 FPM
4. Burst Strength - 25" W.G.
5. Class 1 Filter Per U.L. Standard 900
6. Maximum Operating Temperature: 350 deg. F
7. Optional Upstream Gasket Available (Ex: D90-2-XL)



100 River Ridge Circle
Jeffersonville, IN 47130
P: 866-925-2247
F: 502-961-0930
www.purolatorair.com

CONTACT FACTORY TO
VERIFY REVISION LEVEL

TOLERANCES UNLESS OTHERWISE SPECIFIED

FRACTIONAL -
DECIMAL -
ANGLES -

ALL DIMENSIONS IN INCHES

DRAWING NAME

DURAFLOW DOUBLE HEADER

APPROVED BY

K. Quinn

SPECIFICATION NO.

MKT-B-00222

PAGE

1 OF 1

SCALE

NONE

DWG. SIZE

A

REVISION

B

REVISION DATE

11-22-10

CONFIDENTIAL - DO NOT COPY. THIS MATERIAL IS TRADE SECRET AND PROPRIETARY BEING EXCLUSIVELY OWNED BY CLC AIR. THE EXPRESSION OF THE INFORMATION CONTAINED HEREIN IS PROTECTED UNDER FEDERAL COPYRIGHT LAWS AND ALL COPYING IS PROHIBITED AND MAY BE SUBJECT TO CRIMINAL PENALTIES.