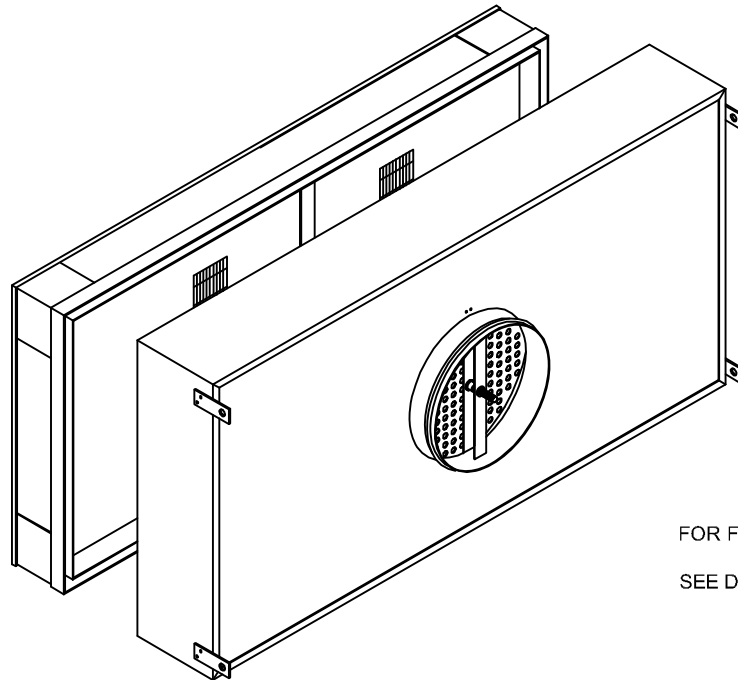


### Housings

Item No.	Model Number	Nominal Size (Inches) (H x W)	Actual Size (Inches) (H x W x D)	Inlet Collar Diameter (Inches)
3065001	HOOD 2X4 10	24 x 48	23-5/8 x 47-5/8 x 7	10
3065004	HOOD 2X4 12	24 x 48	23-5/8 x 47-5/8 x 7	12

### Filters

Item No.	Construction Code	Actual Size (Inches) (H x W x D)	Efficiency (Eff% @ X Microns)	Rated Air Flow (CFM) @ 90 FPM
2995953	H2246K22-ONPF10W36	22-1/4 x 46-1/4 x 4-3/4	99.99% @ 0.3	575
2597475	H2246K22-ONPF10WD6	22-1/4 x 46-1/4 x 4-3/4	99.999% @ 0.3	575
2697477	H2246K22-ONPF10WF6	22-1/4 x 46-1/4 x 4-3/4	99.9995% @ 0.12	575





#### NOTES:

1. HOUSINGS AND FILTERS SOLD SEPARATELY
2. THE HOUSINGS AND FILTERS ARE MADE WITH ANODIZED EXTRUDED ALUMINUM
3. (4) FILTER RETAINERS INCLUDED WITH HOOD
4. THE FILTERS ARE MICROPLEAT MINI-PLEAT FILTERS WITH A GEL SEAL CHANNEL ON THE AIR ENTERING SIDE
5. THE FILTERS HAVE A WHITE COATED EXPANDED METAL FACEGUARD ON THE AIR LEAVING SIDE
6. THE FILTERS HAVE A CENTER POST WITH ONE (1) ACCESS PORT

FOR FILTER DETAILS:

SEE DRAWING MKT-B-00628

	100 River Ridge Circle Jeffersonville, IN 47130 P: 866-925-2247 F: 502-961-0930 www.airguard.com	<b>TOLERANCES</b> UNLESS OTHERWISE SPECIFIED		DRAWING NAME <b>MICRO+PLUS ROOMSIDE REPLACABLE 2X4</b>		
	CONTACT FACTORY TO VERIFY REVISION LEVEL		FRACTIONAL — DECIMAL — ANGLES —	APPROVED BY 	SPECIFICATION NO. <b>MKT-B-00626</b>	PAGE <b>1 OF 1</b>
ALL DIMENSIONS IN INCHES			SCALE <b>NONE</b>	DWG. SIZE <b>A</b>	REVISION <b>NEW</b>	REVISION DATE <b>07-22-11</b>
<small>CONFIDENTIAL - DO NOT COPY. THIS MATERIAL IS TRADE SECRET AND PROPRIETARY BEING EXCLUSIVELY OWNED BY CLC AIR. THE EXPRESSION OF THE INFORMATION CONTAINED HEREIN IS PROTECTED UNDER FEDERAL COPYRIGHT LAWS AND ALL COPYING IS PROHIBITED AND MAY BE SUBJECT TO CRIMINAL PENALTIES.</small>						