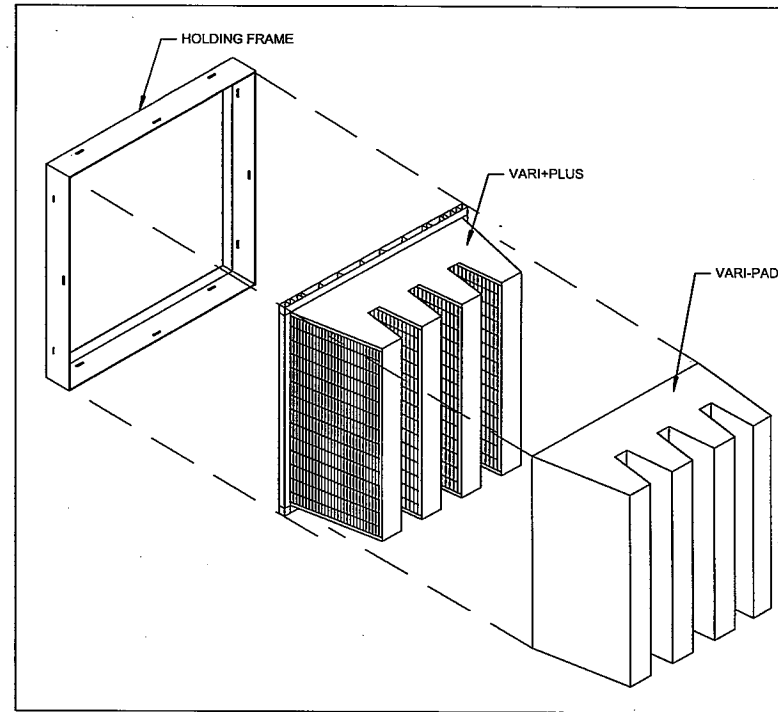
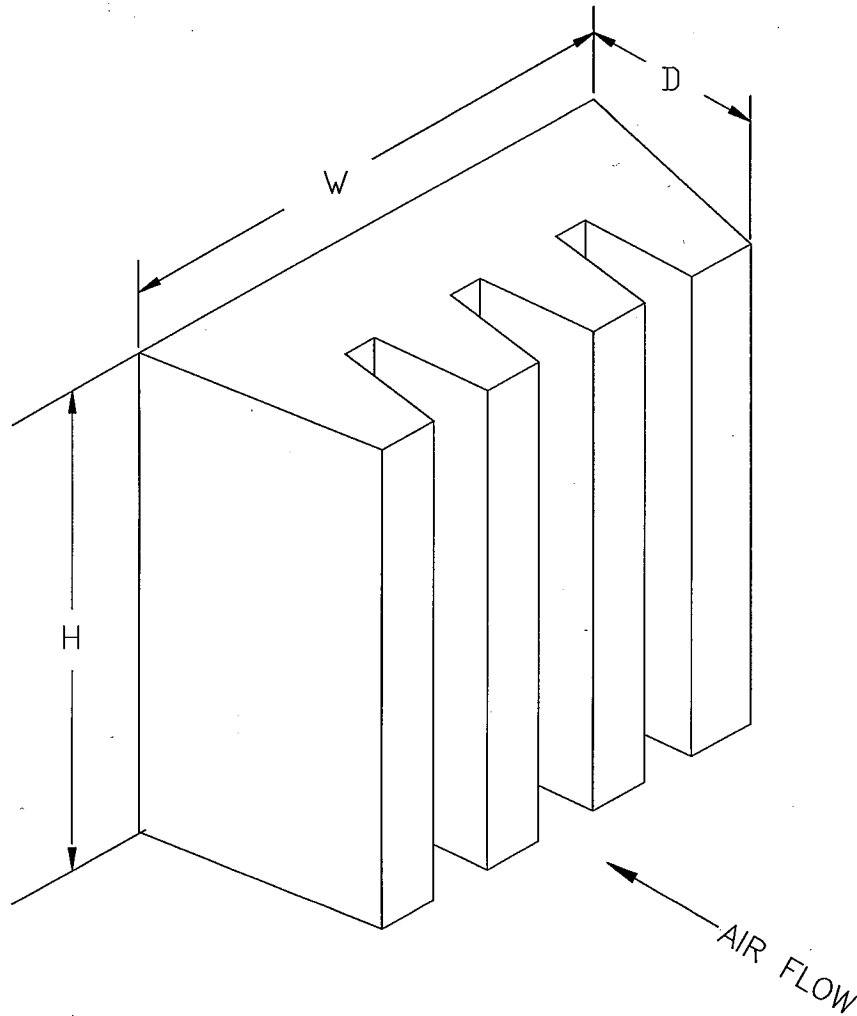


Item Number	Model Number	Nominal Size (Inches) W x H x D	Rated Air Flow (CFM)	Initial Resistance (Inches W.G.)	Media Area (Sq. Ft.)
1116850	VP-200-R	24 x 24 x 12	2500	.59	15.3




VARI-PAD VP-200-R INSTALLATION

STANDARD CONSTRUCTION

1. White High Loft Polyester Media
2. Sewn Construction

NOTES


1. Average Arrestance 80% ASHRAE 52.1-1992
2. Final Resistance: 1.0" W.G.
3. Maximum Operating Temperature: 220 deg. F

	ONE SOURCE FOR AIR FILTRATION PRODUCTS	P.O. Box 32578 Louisville, KY 40232 P: 502-969-2304 F: 502-961-0930
	<p style="text-align: center;">CONTACT FACTORY TO VERIFY REVISION LEVEL</p>	

TOLERANCES  
UNLESS OTHERWISE SPECIFIED

- FRACTIONAL
- DECIMAL
- ANGLES

ALL DIMENSIONS IN INCHES

DRAWING NAME			
<b>VARI-PAD - REVERSE FLOW INSTLLATION</b>			
APPROVED BY:	SPECIFICATION NO.	PAGE	
	MKT-B-00515	1 OF 1	
SCALE	DWG. SIZE	REVISION	REVISION DATE
NONE	A	NEW	09-21-06
<small>CONFIDENTIAL - DO NOT COPY. THIS MATERIAL IS TRADE SECRET AND PROPRIETARY BEING EXCLUSIVELY OWNED BY CLC AIR. THE EXPRESSION OF THE INFORMATION CONTAINED HEREIN IS PROTECTED UNDER FEDERAL COPYRIGHT LAWS AND ALL COPYING IS PROHIBITED AND MAY BE SUBJECT TO CRIMINAL PENALTIES.</small>			