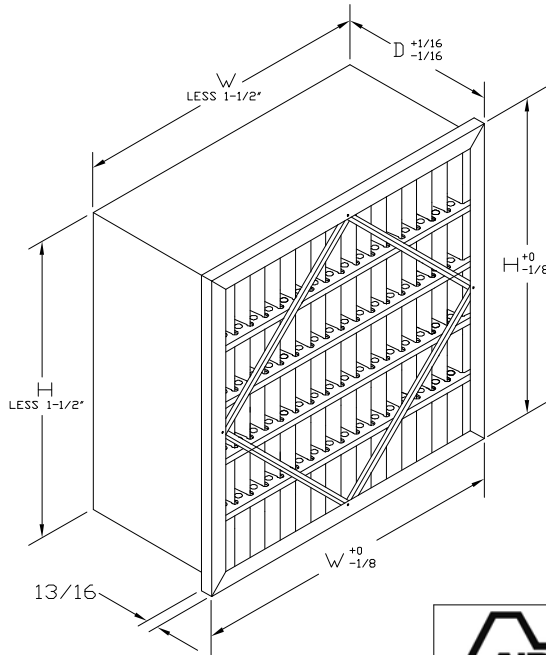


Model Number	Nominal Size (Inches) W x H x D	Actual Size (Inches) W x H x D	Rated Air Flow (CFM)	Initial Resistance (In. W.G.)	MERV	Media Area (Square Feet)
R-904-PH	24 x 24 x 12	23- ³ / ₈ x 23- ³ / ₈ x 11- ¹ / ₂	2000	.80	14	47
R-915-PH	24 x 20 x 12	23- ³ / ₈ x 19- ³ / ₈ x 11- ¹ / ₂	1650	.80	14	40
R-913-PH	20 x 20 x 12	19- ³ / ₈ x 19- ³ / ₈ x 11- ¹ / ₂	1400	.80	14	32
R-903-PH	12 x 24 x 12	11- ³ / ₈ x 23- ³ / ₈ x 11- ¹ / ₂	1000	.80	14	23
R-804-PH	24 x 24 x 12	23- ³ / ₈ x 23- ³ / ₈ x 11- ¹ / ₂	2000	.70	13	47
R-815-PH	24 x 20 x 12	23- ³ / ₈ x 19- ³ / ₈ x 11- ¹ / ₂	1650	.70	13	40
R-814-PH	20 x 20 x 12	19- ³ / ₈ x 19- ³ / ₈ x 11- ¹ / ₂	1400	.70	13	32
R-801-PH	12 x 24 x 12	11- ³ / ₈ x 23- ³ / ₈ x 11- ¹ / ₂	1000	.70	13	23
R-604-PH	24 x 24 x 12	23- ³ / ₈ x 23- ³ / ₈ x 11- ¹ / ₂	2000	.48	11	47
R-615-PH	24 x 20 x 12	23- ³ / ₈ x 19- ³ / ₈ x 11- ¹ / ₂	1650	.48	11	40
R-613-PH	20 x 20 x 12	19- ³ / ₈ x 19- ³ / ₈ x 11- ¹ / ₂	1400	.48	11	32
R-603-PH	12 x 24 x 12	11- ³ / ₈ x 23- ³ / ₈ x 11- ¹ / ₂	1000	.48	11	23
R-504-PH	24 x 24 x 12	23- ³ / ₈ x 23- ³ / ₈ x 11- ¹ / ₂	2000	.43	10	47
R-515-PH	24 x 20 x 12	23- ³ / ₈ x 19- ³ / ₈ x 11- ¹ / ₂	1650	.43	10	40
R-513-PH	20 x 20 x 12	19- ³ / ₈ x 19- ³ / ₈ x 11- ¹ / ₂	1400	.43	10	32
R-503-PH	12 x 24 x 12	11- ³ / ₈ x 23- ³ / ₈ x 11- ¹ / ₂	1000	.43	10	23



STANDARD CONSTRUCTION

1. High Efficiency, High Loft Microglass Filter Media
2. Expanded Metal Pleat Supports
3. Adhesive Seal on All Four Media Pack Sides
4. 24 Gauge Galvanized Steel Cell Sides
5. Plastic Fingers Maintain Pleat Spacing
6. Diagonal Support Braces on Air Entering and Air Leaving Sides for Additional Rigidity
7. 13/16" Header on Air Entering Side Standard
8. 1-1/8" 'C' Style Header Optional (Add 'CH' Suffix on the Model Number)

NOTES

1. MERV per ASHRAE 52.2-2007
Filters Tested at 492 FPM on 24x24x12 Standard Size
2. Final Resistance: 1.5" W.G.
3. Rated Velocity 12" Deep - 500 FPM
4. Class 2 Filter Per U.L. Standard 900
5. Maximum Operating Temperature: 180 deg. F
6. Optional Gasket Available
U - Upstream Gasket (Ex: R-904-PH-U)
D - Downstream Gasket
UD- Both Sides
SA - Side Access Gasket (One Vertical Side)
7. Special sizes not available



100 River Ridge Circle
Jeffersonville, IN 47130
P: 866-925-2247
F: 502-961-0930
www.airguard.com

**CONTACT FACTORY TO
VERIFY REVISION LEVEL**

**TOLERANCES
UNLESS OTHERWISE SPECIFIED**

FRACTIONAL -
DECIMAL -
ANGLES -

ALL DIMENSIONS IN INCHES

DRAWING NAME

VARI-PAK PH

APPROVED BY

K. Quinn

SPECIFICATION NO.

MKT-B-00131

PAGE 1 OF 1

SCALE

NONE

DWG. SIZE

A

REVISION

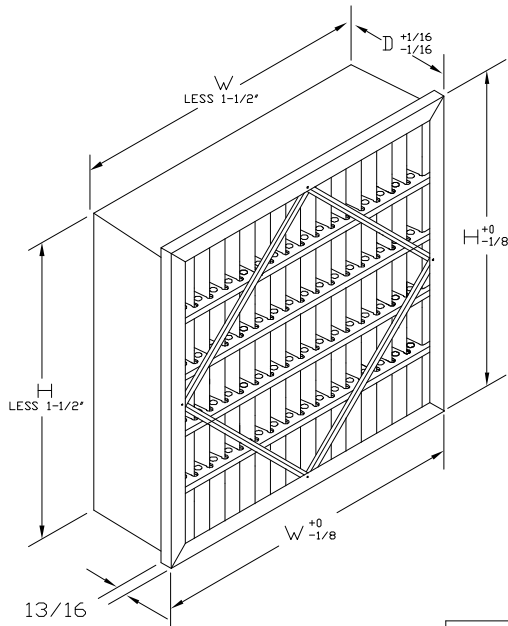
F

REVISION DATE

11-21-2011

CONFIDENTIAL - DO NOT COPY. THIS MATERIAL IS TRADE SECRET AND PROPRIETARY BEING EXCLUSIVELY OWNED BY CLC AIR. THE EXPRESSION OF THE INFORMATION CONTAINED HEREIN IS PROTECTED UNDER FEDERAL COPYRIGHT LAWS AND ALL COPYING IS PROHIBITED AND MAY BE SUBJECT TO CRIMINAL PENALTIES.

Model Number	Nominal Size (Inches) W x H x D	Actual Size (Inches) W x H x D	Rated Air Flow (CFM)	Initial Resistance (In. W.G.)	MERV	Media Area (Square Feet)
R-902-PH	24 x 24 x 6	23- ³ / ₈ x 23- ³ / ₈ x 5- ⁷ / ₈	1000	.80	14	27
R-914-PH	20 x 20 x 6	19- ³ / ₈ x 19- ³ / ₈ x 5- ⁷ / ₈	700	.80	14	17
R-901-PH	24 x 12 x 6	23- ³ / ₈ x 11- ³ / ₈ x 5- ⁷ / ₈	500	.80	14	13
R-802-PH	24 x 24 x 6	23- ³ / ₈ x 23- ³ / ₈ x 5- ⁷ / ₈	1000	.70	13	27
R-814-PH	20 x 20 x 6	19- ³ / ₈ x 19- ³ / ₈ x 5- ⁷ / ₈	700	.70	13	17
R-801-PH	24 x 12 x 6	23- ³ / ₈ x 11- ³ / ₈ x 5- ⁷ / ₈	500	.70	13	13
R-602-PH	24 x 24 x 6	23- ³ / ₈ x 23- ³ / ₈ x 5- ⁷ / ₈	1000	.48	11	27
R-614-PH	20 x 20 x 6	19- ³ / ₈ x 19- ³ / ₈ x 5- ⁷ / ₈	700	.48	11	17
R-601-PH	24 x 12 x 6	23- ³ / ₈ x 11- ³ / ₈ x 5- ⁷ / ₈	500	.48	11	13
R-502-PH	24 x 24 x 6	23- ³ / ₈ x 23- ³ / ₈ x 5- ⁷ / ₈	1000	.43	10	27
R-514-PH	20 x 20 x 6	19- ³ / ₈ x 19- ³ / ₈ x 5- ⁷ / ₈	700	.43	10	17
R-501-PH	24 x 12 x 6	23- ³ / ₈ x 11- ³ / ₈ x 5- ⁷ / ₈	500	.43	10	13



STANDARD CONSTRUCTION

1. High Efficiency, High Loft Microglass Filter Media
2. Expanded Metal Pleat Supports
3. Adhesive Seal on All Four Media Pack Sides
4. 24 Gauge Galvanized Steel Cell Sides
5. Plastic Fingers Maintain Pleat Spacing
6. Diagonal Support Braces on Air Entering and Air Leaving Sides for Additional Rigidity
7. 13/16" Header on Air Entering Side Standard
8. 1-1/8" 'C' Style Header Optional
(Add 'CH' Suffix on the Model Number)

NOTES

1. MERV per ASHRAE 52.2-2007
Tested at 492 FPM on 24x24x12 Standard Size
2. Final Resistance: 1.5" W.G.
3. Rated Velocity 6" Deep - 500 FPM
4. Class 2 Filter Per U.L. Standard 900
5. Maximum Operating Temperature: 180 deg. F
6. Optional Gasket Available
U - Upstream Gasket (Ex: R-904-PH-U)
D - Downstream Gasket
UD - Both Sides
SA - Side Access Gasket (One Vertical Side)
7. Special sizes not available



100 River Ridge Circle
Jeffersonville, IN 47130
P: 866-925-2247
F: 502-961-0930
www.airguard.com

CONTACT FACTORY TO
VERIFY REVISION LEVEL

TOLERANCES UNLESS OTHERWISE SPECIFIED

FRACTIONAL -
DECIMAL -
ANGLES -

ALL DIMENSIONS IN INCHES

DRAWING NAME

VARI-PAK PH

APPROVED BY

K. Quinn

SPECIFICATION NO.

MKT-B-00632

PAGE 1 OF 1

SCALE

NONE

DWG. SIZE

A

REVISION

A

REVISION DATE

11-29-11

CONFIDENTIAL - DO NOT COPY. THIS MATERIAL IS TRADE SECRET AND PROPRIETARY BEING EXCLUSIVELY OWNED BY CLC AIR. THE EXPRESSION OF THE INFORMATION CONTAINED HEREIN IS PROTECTED UNDER FEDERAL COPYRIGHT LAWS AND ALL COPYING IS PROHIBITED AND MAY BE SUBJECT TO CRIMINAL PENALTIES.