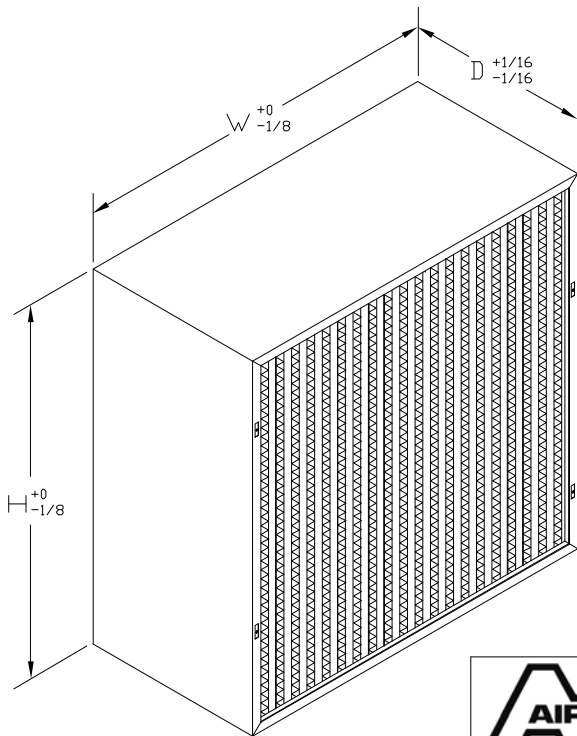


Nominal Size (Inches) W x H x D	Actual Size (Inches) W x H x D	MERV 14		MERV 13		MERV 11		Rated Airflow (CFM)	Media Area (Square Feet)
		Model Number	Initial Resistance (In. W.G.)	Model Number	Initial Resistance (In. W.G.)	Model Number	Initial Resistance (In. W.G.)		
24 x 24 x 12	23-3/8 x 23-3/8 x 11-1/2	VSC-MA-904	0.70	VSC-MA-804	0.60	VSC-MA-604	0.43	2000	121
20 x 25 x 12	19-3/8 x 24-3/8 x 11-1/2	VSC-MA-912	0.70	VSC-MA-812	0.60	VSC-MA-612	0.43	1750	105
20 x 24 x 12	19-3/8 x 23-3/8 x 11-1/2	VSC-MA-915	0.70	VSC-MA-815	0.60	VSC-MA-615	0.43	1650	101
20 x 20 x 12	19-3/8 x 19-3/8 x 11-1/2	VSC-MA-913	0.70	VSC-MA-813	0.60	VSC-MA-613	0.43	1400	83
18 x 24 x 12	17-3/8 x 23-3/8 x 11-1/2	VSC-MA-911	0.70	VSC-MA-811	0.60	VSC-MA-611	0.43	1500	91
16 x 25 x 12	15-3/8 x 25-3/8 x 11-1/2	VSC-MA-910	0.70	VSC-MA-810	0.60	VSC-MA-610	0.43	1400	84
16 x 20 x 12	15-3/8 x 19-3/8 x 11-1/2	VSC-MA-909	0.70	VSC-MA-809	0.60	VSC-MA-609	0.43	1100	67
12 x 24 x 12	11-3/8 x 23-3/8 x 11-1/2	VSC-MA-903	0.70	VSC-MA-803	0.60	VSC-MA-803	0.43	1000	57
24 x 24 x 6	23-3/8 x 23-3/8 x 5-7/8	VSC-MA-902	0.40	VSC-MA-802	0.38	VSC-MA-602	0.23	1000	55
20 x 25 x 6	19-3/8 x 24-3/8 x 5-7/8	VSC-MA-908	0.40	VSC-MA-808	0.38	VSC-MA-608	0.23	875	48
20 x 24 x 6	19-3/8 x 23-3/8 x 5-7/8	VSC-MA-916	0.40	VSC-MA-816	0.38	VSC-MA-616	0.23	825	46
20 x 20 x 6	19-3/8 x 19-3/8 x 5-7/8	VSC-MA-914	0.40	VSC-MA-814	0.38	VSC-MA-614	0.23	700	38
18 x 24 x 6	17-3/8 x 23-3/8 x 5-7/8	VSC-MA-907	0.40	VSC-MA-807	0.38	VSC-MA-607	0.23	750	42
16 x 25 x 6	15-3/8 x 24-3/8 x 5-7/8	VSC-MA-906	0.40	VSC-MA-806	0.38	VSC-MA-606	0.23	700	38
16 x 20 x 6	15-3/8 x 19-3/8 x 5-7/8	VSC-MA-905	0.40	VSC-MA-805	0.38	VSC-MA-605	0.23	550	31
12 x 24 x 6	11-3/8 x 23-3/8 x 5-7/8	VSC-MA-901	0.40	VSC-MA-801	0.38	VSC-MA-601	0.23	500	26



#### STANDARD CONSTRUCTION

1. High Efficiency, Microglass Paper Media
2. Corrugated Aluminum Separators With Rolled Edges
3. High Loft Microglass Wrap Around Media Pack
4. 24 Gauge Galvanized Steel Cell Sides
5. Expanded Metal Grid on Air Leaving Side
6. (4) Retainer Holes for Spring Latches

#### NOTES

1. Efficiency Code / MERV per ASHRAE 52.2-2007
  - 9 - MERV 14
  - 8 - MERV 13
  - 6 - MERV 11
2. Final Resistance: 1.5" W.G.
3. Rated Velocity 12" Deep - 500 FPM
4. Rated Velocity 6" Deep - 250 FPM
5. Class 1 Filter Per U.L. Standard 900
6. Maximum Operating Temperature: 350 deg. F
7. Optional Gasket Available
  - U - Upstream Gasket (Ex: VSC-MA-904-U)
  - D - Downstream Gasket
  - UD- Both Sides
8. Reverse Pleat Orientation Available
  - Add "-R" to Model Number (Ex: VSC-MA-904-R)
9. Antimicrobial Option Available on MERV 14 Product
  - Add "-BIO" to Model Number
10. Special Sizes Available



100 River Ridge Circle  
Jeffersonville, IN 47130  
P: 866-925-2247  
F: 502-961-0930  
www.purrolatorair.com

CONTACT FACTORY TO  
VERIFY REVISION LEVEL

#### TOLERANCES UNLESS OTHERWISE SPECIFIED

FRACTIONAL -  
DECIMAL -  
ANGLES -

ALL DIMENSIONS IN INCHES

DRAWING NAME

VARIFLOW VSC-MA (METAL BOX STYLE)

APPROVED BY

*K. Quinn*

SPECIFICATION NO.

MKT-B-00141

PAGE 1 of 1

SCALE

NONE

DWG. SIZE

A

REVISION

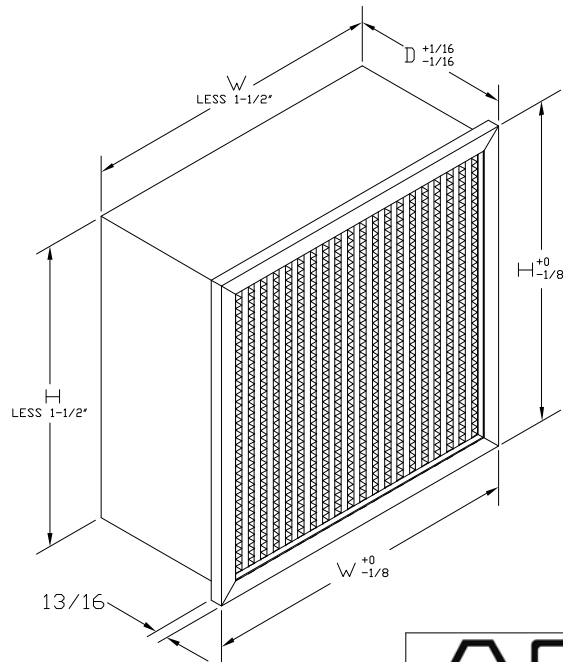
D

REVISION DATE

04-27-11

CONFIDENTIAL - DO NOT COPY. THIS MATERIAL IS TRADE SECRET AND PROPRIETARY BEING EXCLUSIVELY OWNED BY CLC AIR. THE EXPRESSION OF THE INFORMATION CONTAINED HEREIN IS PROTECTED UNDER FEDERAL COPYRIGHT LAWS AND ALL COPYING IS PROHIBITED AND MAY BE SUBJECT TO CRIMINAL PENALTIES.

Nominal Size (Inches) W x H x D	Actual Size (Inches) W x H x D	MERV 14		MERV 13		MERV 11		Rated Airflow (CFM)	Media Area (Square Feet)
		Model Number	Initial Resistance (In. W.G.)	Model Number	Initial Resistance (In. W.G.)	Model Number	Initial Resistance (In. W.G.)		
24 x 24 x 12	23-3/8 x 23-3/8 x 11-1/2	VSC-MB-904	0.70	VSC-MB-804	0.60	VSC-MB-604	0.43	2000	103
20 x 25 x 12	19-3/8 x 24-3/8 x 11-1/2	VSC-MB-912	0.70	VSC-MB-812	0.60	VSC-MB-612	0.43	1750	88
20 x 24 x 12	19-3/8 x 23-3/8 x 11-1/2	VSC-MB-915	0.70	VSC-MB-815	0.60	VSC-MB-615	0.43	1650	84
20 x 20 x 12	19-3/8 x 19-3/8 x 11-1/2	VSC-MB-913	0.70	VSC-MB-813	0.60	VSC-MB-613	0.43	1400	69
18 x 24 x 12	17-3/8 x 23-3/8 x 11-1/2	VSC-MB-911	0.70	VSC-MB-811	0.60	VSC-MB-611	0.43	1500	75
16 x 25 x 12	15-3/8 x 25-3/8 x 11-1/2	VSC-MB-910	0.70	VSC-MB-810	0.60	VSC-MB-610	0.43	1400	69
16 x 20 x 12	15-3/8 x 19-3/8 x 11-1/2	VSC-MB-909	0.70	VSC-MB-809	0.60	VSC-MB-609	0.43	1100	53
12 x 24 x 12	11-3/8 x 23-3/8 x 11-1/2	VSC-MB-903	0.70	VSC-MB-803	0.60	VSC-MB-603	0.43	1000	47
24 x 24 x 6	23-3/8 x 23-3/8 x 5-7/8	VSC-MB-902	0.40	VSC-MB-802	0.38	VSC-MB-602	0.23	1000	47
20 x 25 x 6	19-3/8 x 24-3/8 x 5-7/8	VSC-MB-908	0.40	VSC-MB-808	0.38	VSC-MB-608	0.23	875	40
20 x 24 x 6	19-3/8 x 23-3/8 x 5-7/8	VSC-MB-916	0.40	VSC-MB-816	0.38	VSC-MB-616	0.23	825	38
20 x 20 x 6	19-3/8 x 19-3/8 x 5-7/8	VSC-MB-914	0.40	VSC-MB-814	0.38	VSC-MB-614	0.23	700	32
18 x 24 x 6	17-3/8 x 23-3/8 x 5-7/8	VSC-MB-907	0.40	VSC-MB-807	0.38	VSC-MB-607	0.23	750	34
16 x 25 x 6	15-3/8 x 24-3/8 x 5-7/8	VSC-MB-906	0.40	VSC-MB-806	0.38	VSC-MB-606	0.23	700	31
16 x 20 x 6	15-3/8 x 19-3/8 x 5-7/8	VSC-MB-905	0.40	VSC-MB-805	0.38	VSC-MB-605	0.23	550	24
12 x 24 x 6	11-3/8 x 23-3/8 x 5-7/8	VSC-MB-901	0.40	VSC-MB-801	0.38	VSC-MB-601	0.23	500	21



#### STANDARD CONSTRUCTION

1. High Efficiency, Microglass Paper Media
2. Corrugated Aluminum Separators With Rolled Edges
3. High Loft Microglass Wrap Around Media Pack
4. 24 Gauge Galvanized Steel Cell Sides
5. Header on Air Entering Side: Single Piece U-Channel
6. Expanded Metal Grid on Air Leaving Side

#### NOTES

1. Efficiency Code / MERV per ASHRAE 52.2-2007
  - 9 - MERV 14
  - 8 - MERV 13
  - 6 - MERV 11
2. Final Resistance: 1.5" W.G.
3. Rated Velocity 12" Deep - 500 FPM
4. Rated Velocity 6" Deep - 250 FPM
5. Class 1 Filter Per U.L. Standard 900
6. Maximum Operating Temperature: 350 deg. F
7. Optional Gasket Available
  - U - Upstream Gasket (Ex: VSC-MB-904-U)
  - D - Downstream Gasket
  - UD- Both Sides
8. Reverse Pleat Orientation Available
  - Add "-R" to Model Number (Ex: VSC-MB-904-R)
9. Optional 1-1/8" Header ("C" Header) Available
  - Add "-C" Onto The Model Number (Ex: VSC-MB-904-C)
10. Antimicrobial option available on MERV 14 Product
  - Add "-BIO" to Model Number
11. Special Sizes Available



100 River Ridge Circle  
Jeffersonville, IN 47130  
P: 866-925-2247  
F: 502-961-0930  
www.purolatorair.com

CONTACT FACTORY TO  
VERIFY REVISION LEVEL

#### TOLERANCES UNLESS OTHERWISE SPECIFIED

FRACTIONAL -  
DECIMAL -  
ANGLES -

ALL DIMENSIONS IN INCHES

DRAWING NAME

VARIFLOW VSC-MB (METAL SINGLE HEADER STYLE)

APPROVED BY

*K. Quinn*

SPECIFICATION NO.

MKT-B-00142

PAGE

1 of 1

SCALE

NONE

DWG. SIZE

A

REVISION

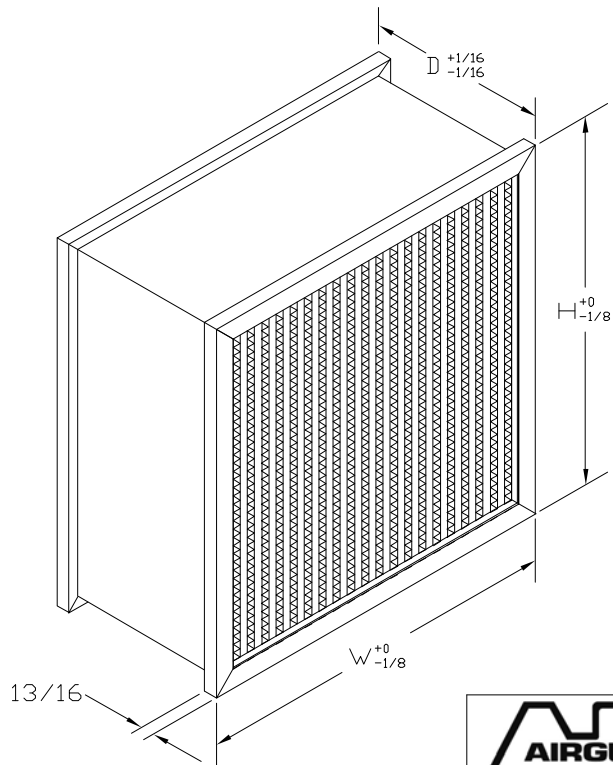
C

REVISION DATE

4-27-2011

CONFIDENTIAL - DO NOT COPY. THIS MATERIAL IS TRADE SECRET AND PROPRIETARY BEING EXCLUSIVELY OWNED BY CLC AIR. THE EXPRESSION OF THE INFORMATION CONTAINED HEREIN IS PROTECTED UNDER FEDERAL COPYRIGHT LAWS AND ALL COPYING IS PROHIBITED AND MAY BE SUBJECT TO CRIMINAL PENALTIES.

Nominal Size (Inches) W x H x D	Actual Size (Inches) W x H x D	MERV 14		MERV 13		MERV 11		Rated Airflow (CFM)	Media Area (Square Feet)
		Model Number	Initial Resistance (In. W.G.)	Model Number	Initial Resistance (In. W.G.)	Model Number	Initial Resistance (In. W.G.)		
24 x 24 x 12	23-3/8 x 23-3/8 x 11-1/2	VSC-MC-904	0.70	VSC-MC-804	0.60	VSC-MC-604	0.43	2000	103
20 x 25 x 12	19-3/8 x 24-3/8 x 11-1/2	VSC-MC-912	0.70	VSC-MC-812	0.60	VSC-MC-612	0.43	1750	88
20 x 24 x 12	19-3/8 x 23-3/8 x 11-1/2	VSC-MC-915	0.70	VSC-MC-815	0.60	VSC-MC-615	0.43	1650	84
20 x 20 x 12	19-3/8 x 19-3/8 x 11-1/2	VSC-MC-913	0.70	VSC-MC-813	0.60	VSC-MC-613	0.43	1400	69
18 x 24 x 12	17-3/8 x 23-3/8 x 11-1/2	VSC-MC-911	0.70	VSC-MC-811	0.60	VSC-MC-611	0.43	1500	75
16 x 25 x 12	15-3/8 x 25-3/8 x 11-1/2	VSC-MC-910	0.70	VSC-MC-810	0.60	VSC-MC-610	0.43	1400	69
16 x 20 x 12	15-3/8 x 19-3/8 x 11-1/2	VSC-MC-909	0.70	VSC-MC-809	0.60	VSC-MC-609	0.43	1100	53
12 x 24 x 12	11-3/8 x 23-3/8 x 11-1/2	VSC-MC-903	0.70	VSC-MC-803	0.60	VSC-MC-603	0.43	1000	47
24 x 24 x 6	23-3/8 x 23-3/8 x 5-7/8	VSC-MC-902	0.40	VSC-MC-802	0.38	VSC-MC-602	0.23	1000	47
20 x 25 x 6	19-3/8 x 24-3/8 x 5-7/8	VSC-MC-908	0.40	VSC-MC-808	0.38	VSC-MC-608	0.23	875	40
20 x 24 x 6	19-3/8 x 23-3/8 x 5-7/8	VSC-MC-916	0.40	VSC-MC-816	0.38	VSC-MC-616	0.23	825	38
20 x 20 x 6	19-3/8 x 19-3/8 x 5-7/8	VSC-MC-914	0.40	VSC-MC-814	0.38	VSC-MC-614	0.23	700	32
18 x 24 x 6	17-3/8 x 23-3/8 x 5-7/8	VSC-MC-907	0.40	VSC-MC-807	0.38	VSC-MC-607	0.23	750	34
16 x 25 x 6	15-3/8 x 24-3/8 x 5-7/8	VSC-MC-906	0.40	VSC-MC-806	0.38	VSC-MC-606	0.23	700	31
16 x 20 x 6	15-3/8 x 19-3/8 x 5-7/8	VSC-MC-905	0.40	VSC-MC-805	0.38	VSC-MC-605	0.23	550	24
12 x 24 x 6	11-3/8 x 23-3/8 x 5-7/8	VSC-MC-901	0.40	VSC-MC-801	0.38	VSC-MC-601	0.23	500	21



**STANDARD CONSTRUCTION**

1. High Efficiency, Microglass Paper Media
2. Corrugated Aluminum Separators With Rolled Edges
3. High Loft Microglass Wrap Around Media Pack
4. 24 Gauge Galvanized Steel Cell Sides
5. Header on Both Side: Single Piece U-Channel
6. Expanded Metal Grid on Air Leaving Side

**NOTES**

1. Efficiency Code / MERV per ASHRAE 52.2-2007
  - 9 - MERV 14
  - 8 - MERV 13
  - 6 - MERV 11
2. Final Resistance: 1.5" W.G.
3. Rated Velocity 12" Deep - 500 FPM
4. Rated Velocity 6" Deep - 250 FPM
5. Class 1 Filter Per U.L. Standard 900
6. Maximum Operating Temperature: 350 deg. F
7. Optional Gasket Available
  - U - Upstream Gasket (Ex: VSC-MC-904-U)
  - D - Downstream Gasket
  - UD- Both Sides
8. Reverse Pleat Orientation Available
  - Add "-R" to Model Number (Ex: VSC-MC-904-R)
9. Optional 1-1/8" Header ("C" Header) available
  - Add "-C" Onto the model number (EX: VSC-MC-904-C)
10. Antimicrobial option available on MERV 14 product
  - Add "-BIO" to the model number
11. Special Sizes Available



100 River Ridge Circle  
Jeffersonville, IN 47130  
P: 866-925-2247  
F: 502-961-0930  
www.purolatorair.com

**CONTACT FACTORY TO  
VERIFY REVISION LEVEL**

**TOLERANCES  
UNLESS OTHERWISE SPECIFIED**

FRACTIONAL -  
DECIMAL -  
ANGLES -

ALL DIMENSIONS IN INCHES

DRAWING NAME

**VARIFLOW VSC-MC (METAL DOUBLE HEADER STYLE)**

APPROVED BY

*K. Quinn*

SPECIFICATION NO.

**MKT-B-00143**

PAGE  
**1 OF 1**

SCALE

DWG. SIZE

REVISION  
**C**

REVISION DATE  
**4/28/2011**

CONFIDENTIAL - DO NOT COPY. THIS MATERIAL IS TRADE SECRET AND PROPRIETARY BEING EXCLUSIVELY OWNED BY CLC AIR. THE EXPRESSION OF THE INFORMATION CONTAINED HEREIN IS PROTECTED UNDER FEDERAL COPYRIGHT LAWS AND ALL COPYING IS PROHIBITED AND MAY BE SUBJECT TO CRIMINAL PENALTIES.