

Model Number	Nominal Size (Inches) W x H x D	Actual Size (Inches) W x H x D	Rated Air Flow (CFM)	Initial Resistance (IN W.G.)	Media Area (Square Feet)
BPF-MX-117	10 x 20 x 1	9-3/4 x 19-3/4 x 3/4	425	.22	2.7
BPF-MX-120	12 x 20 x 1	11-3/4 x 19-3/4 x 3/4	500	.22	3.2
BPF-MX-110	12 x 24 x 1	11-3/8 x 23-3/8 x 3/4	600	.22	3.8
BPF-MX-139	14 x 20 x 1	13-3/4 x 19-3/4 x 3/4	590	.22	3.8
BPF-MX-141	14 x 25 x 1	13-3/4 x 24-3/4 x 3/4	730	.22	4.7
BPF-MX-145	15 x 20 x 1	14-3/4 x 19-3/4 x 3/4	630	.22	4.0
BPF-MX-101	16 x 20 x 1	15-1/2 x 19-1/2 x 3/4	670	.22	4.3
BPF-MX-102	16 x 25 x 1	15-1/2 x 24-1/2 x 3/4	840	.22	5.3
BPF-MX-112	18 x 24 x 1	17-1/2 x 23-1/2 x 3/4	900	.22	5.7
BPF-MX-103	20 x 20 x 1	19-1/2 x 19-1/2 x 3/4	840	.22	5.4
BPF-MX-104	20 x 25 x 1	19-1/2 x 24-1/2 x 3/4	1050	.22	6.7
BPF-MX-105	24 x 24 x 1	23-3/8 x 23-3/8 x 3/4	1200	.22	7.7

STANDARD CONSTRUCTION

1. Off-White Cotton / Polyester High Loft Media with EPA Registered Antimicrobial
2. 12.3 Pleats Per Foot
3. Expanded Metal Pleat Supports
4. Moisture Resistant Beverage Board Frame
5. Double Wall Frame

NOTES

1. Average Efficiency: 25-30% ASHRAE 52.1-1992
MERV 7 ASHRAE 52.2-1999
2. Final Resistance: 1.0" W.G.
3. Rated Velocity: 300 FPM
4. Class 2 Filter Per U.L. Standard 900
5. Maximum Operating Temperature: 225 deg. F

P.O. Box 32578
 Louisville, KY 40232
 P: 866-247-4827
 F: 502-961-0930
 www.airguard.com

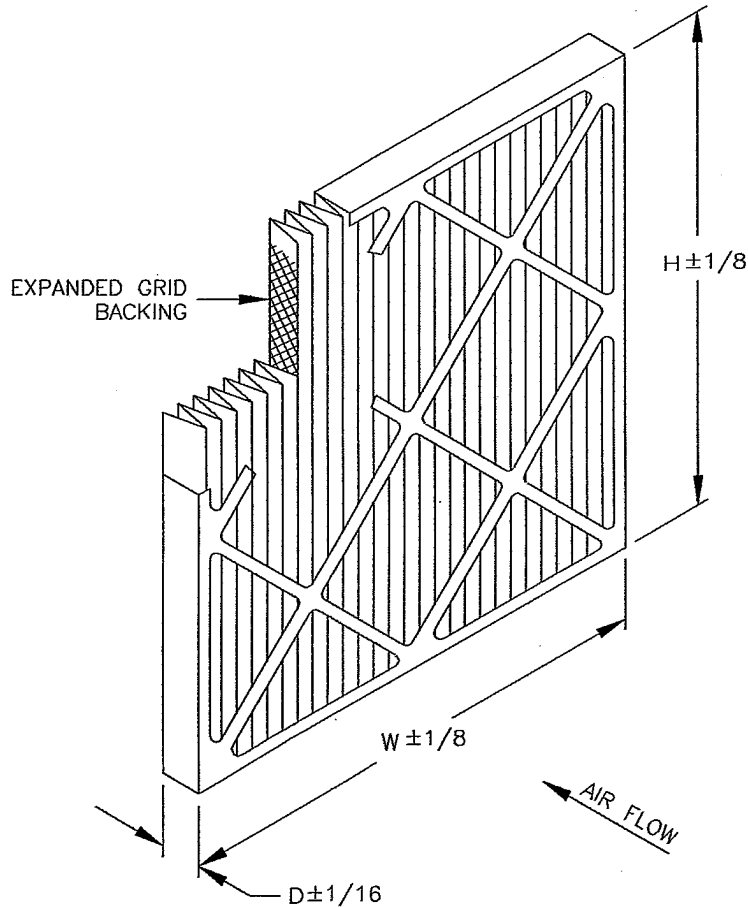
**CONTACT FACTORY TO
VERIFY REVISION LEVEL**

**TOLERANCES
UNLESS OTHERWISE SPECIFIED**

FRACTIONAL -
DECIMAL -
ANGLES -

ALL DIMENSIONS IN INCHES

DRAWING NAME			
BIO-PURE MAX PLEAT (1" DEPTH)			
APPROVED BY		SPECIFICATION NO.	
<i>[Signature]</i>		MKT-B-00211	
SCALE		REVISION	
NONE		A B	
DWG. SIZE		REVISION DATE	
A		11-08-2007	
CONFIDENTIAL - DO NOT COPY. THIS MATERIAL IS TRADE SECRET AND PROPRIETARY BEING EXCLUSIVELY OWNED BY CLC AIR. THE EXPRESSION OF THE INFORMATION CONTAINED HEREIN IS PROTECTED UNDER FEDERAL COPYRIGHT LAWS AND ALL COPYING IS PROHIBITED AND MAY BE SUBJECT TO CRIMINAL PENALTIES.			



Model Number	Nominal Size (Inches) W x H x D	Actual Size (Inches) W x H x D	Rated Air Flow (CFM)	Initial Resistance (IN W.G.)	Media Area (Square Feet)
BPF-MX-217	10 x 20 x 2	9-3/4 x 19-3/4 x 1-3/4	700	.32	4.7
BPF-MX-220	12 x 20 x 2	11-3/4 x 19-3/4 x 1-3/4	840	.32	5.2
BPF-MX-210	12 x 24 x 2	11-3/8 x 23-3/8 x 1-3/4	1000	.32	5.6
BPF-MX-239	14 x 20 x 2	13-3/4 x 19-3/4 x 1-3/4	980	.32	5.7
BPF-MX-241	14 x 25 x 2	13-3/4 x 24-3/4 x 1-3/4	1220	.32	7.1
BPF-MX-245	15 x 20 x 2	14-3/4 x 19-3/4 x 1-3/4	1050	.32	6.2
BPF-MX-201	16 x 20 x 2	15-1/2 x 19-1/2 x 1-3/4	1120	.32	6.7
BPF-MX-216	16 x 24 x 2	15-1/2 x 23-1/2 x 1-3/4	1340	.32	8.0
BPF-MX-202	16 x 25 x 2	15-1/2 x 24-1/2 x 1-3/4	1400	.32	8.4
BPF-MX-280	18 x 20 x 2	17-3/4 x 19-3/4 x 1-3/4	1250	.32	7.8
BPF-MX-212	18 x 24 x 2	17-1/2 x 23-1/2 x 1-3/4	1500	.32	9.3
BPF-MX-285	18 x 25 x 2	17-1/2 x 24-1/2 x 1-3/4	1570	.32	9.7
BPF-MX-203	20 x 20 x 2	19-1/2 x 19-1/2 x 1-3/4	1400	.32	8.3
BPF-MX-211	20 x 24 x 2	19-3/8 x 23-3/8 x 1-3/4	1670	.32	9.9
BPF-MX-204	20 x 25 x 2	19-1/2 x 24-1/2 x 1-3/4	1750	.32	10.3
BPF-MX-205	24 x 24 x 2	23-3/8 x 23-3/8 x 1-3/4	2000	.32	11.7
BPF-MX-225	25 x 25 x 2	24-1/2 x 24-1/2 x 1-3/4	2170	.32	13.6

STANDARD CONSTRUCTION

1. Off-White Cotton / Polyester High Loft Media with EPA Registered Antimicrobial
2. 10.0 Pleats Per Foot
3. Expanded Metal Pleat Supports
4. Moisture Resistant Beverage Board Frame
5. Double Wall Frame

NOTES

1. Average Efficiency: 25-30% ASHRAE 52.1-1992
MERV 7 ASHRAE 52.2-1999
2. Final Resistance: 1.0" W.G.
3. Rated Velocity: 500 FPM
4. Class 2 Filter Per U.L. Standard 900
5. Maximum Operating Temperature: 225 deg. F



P.O. Box 32578
Louisville, KY 40232
P: 866-247-4827
F: 502-961-0930
www.airguard.com

**CONTACT FACTORY TO
VERIFY REVISION LEVEL**

**TOLERANCES
UNLESS OTHERWISE SPECIFIED**

FRACTIONAL -
DECIMAL -
ANGLES -

ALL DIMENSIONS IN INCHES

DRAWING NAME

BIO-PURE MAX PLEAT (2" DEPTH)

APPROVED BY

[Signature]

SPECIFICATION NO.

MKT-B-00212

PAGE

1 OF 1

SCALE

NONE

DWG. SIZE

A

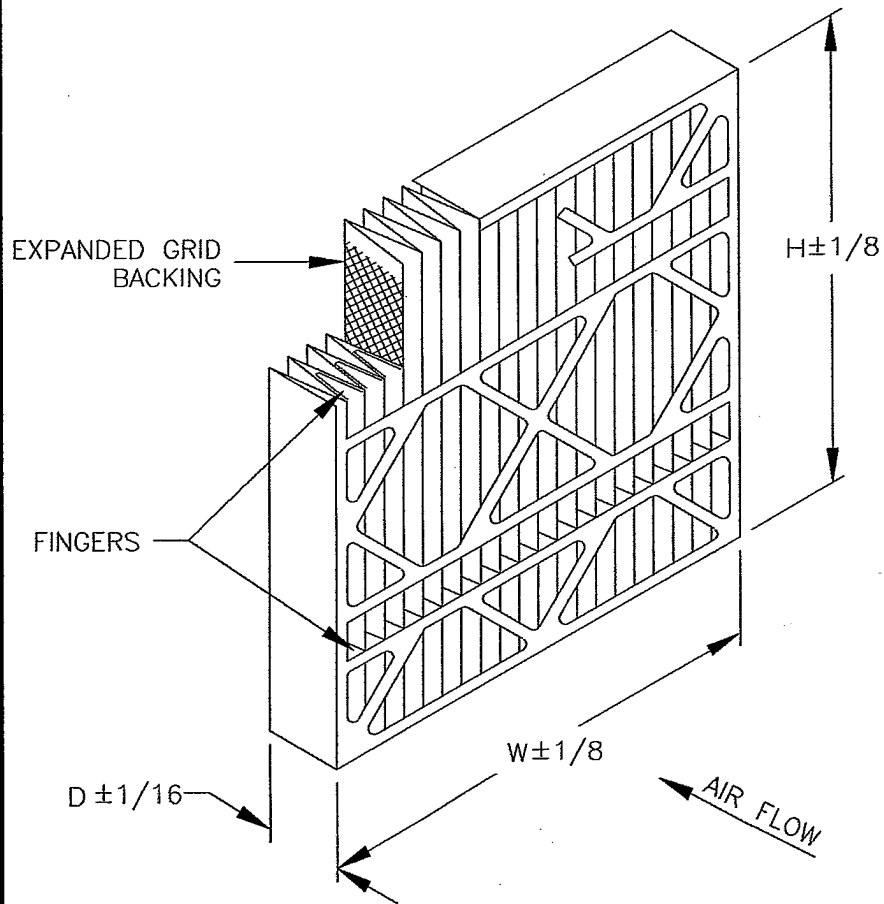
REVISION

B

REVISION DATE

11-08-2007

CONFIDENTIAL - DO NOT COPY. THIS MATERIAL IS TRADE SECRET AND PROPRIETARY BEING EXCLUSIVELY OWNED BY CLC AIR. THE EXPRESSION OF THE INFORMATION CONTAINED HEREIN IS PROTECTED UNDER FEDERAL COPYRIGHT LAWS AND ALL COPYING IS PROHIBITED AND MAY BE SUBJECT TO CRIMINAL PENALTIES.



Model Number	Nominal Size (Inches) W x H x D	Actual Size (Inches) W x H x D	Rated Air Flow (CFM)	Initial Resistance (IN W.G.)	Media Area (Square Feet)
BPF-MX-410	12 x 24 x 4	11-3/8 x 23-3/8 x 3-3/4	1000	.27	10.0
BPF-MX-401	16 x 20 x 4	15-1/2 x 19-1/2 x 3-3/4	1120	.27	11.5
BPF-MX-402	16 x 25 x 4	15-1/2 x 24-1/2 x 3-3/4	1400	.27	14.3
BPF-MX-412	18 x 24 x 4	17-1/2 x 23-1/2 x 3-3/4	1500	.27	14.9
BPF-MX-403	20 x 20 x 4	19-1/2 x 19-1/2 x 3-3/4	1400	.27	14.6
BPF-MX-411	20 x 24 x 4	19-3/8 x 23-3/8 x 3-3/4	1670	.27	16.2
BPF-MX-404	20 x 25 x 4	19-1/2 x 24-1/2 x 3-3/4	1750	.27	18.3
BPF-MX-405	24 x 24 x 4	23-3/8 x 23-3/8 x 3-3/4	2000	.27	19.9

STANDARD CONSTRUCTION

1. Off-White Cotton / Polyester High Loft Media with EPA Registered Antimicrobial
2. 8.2 Pleats Per Foot
3. Expanded Metal Pleat Supports
4. Moisture Resistant Beverage Board Frame
5. Double Wall Frame
6. (2) Rows of Fingers on Air Entering Side

NOTES

1. Average Efficiency: 25-30% ASHRAE 52.1-1992 MERV 7 ASHRAE 52.2-1999
2. Final Resistance: 1.0" W.G.
3. Rated Velocity: 500 FPM
4. Class 2 Filter Per U.L. Standard 900
5. Maximum Operating Temperature: 225 deg. F



P.O. Box 32578
 Louisville, KY 40232
 P: 866-247-4827
 F: 502-961-0930
 www.airguard.com

**CONTACT FACTORY TO
 VERIFY REVISION LEVEL**

**TOLERANCES
 UNLESS OTHERWISE SPECIFIED**

FRACTIONAL -
 DECIMAL -
 ANGLES -

ALL DIMENSIONS IN INCHES

DRAWING NAME

BIO-PURE MAX PLEAT (4" DEPTH)

APPROVED BY

[Signature]

SPECIFICATION NO.

MKT-B-00213

PAGE

1 OF 1

SCALE

NONE

DWG. SIZE

A

REVISION

B

REVISION DATE

11/08/2007

CONFIDENTIAL - DO NOT COPY. THIS MATERIAL IS TRADE SECRET AND PROPRIETARY BEING EXCLUSIVELY OWNED BY CLC AIR. THE EXPRESSION OF THE INFORMATION CONTAINED HEREIN IS PROTECTED UNDER FEDERAL COPYRIGHT LAWS AND ALL COPYING IS PROHIBITED AND MAY BE SUBJECT TO CRIMINAL PENALTIES.