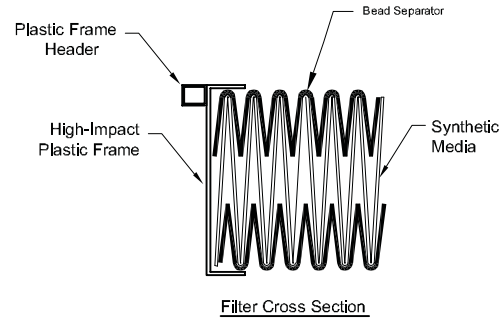
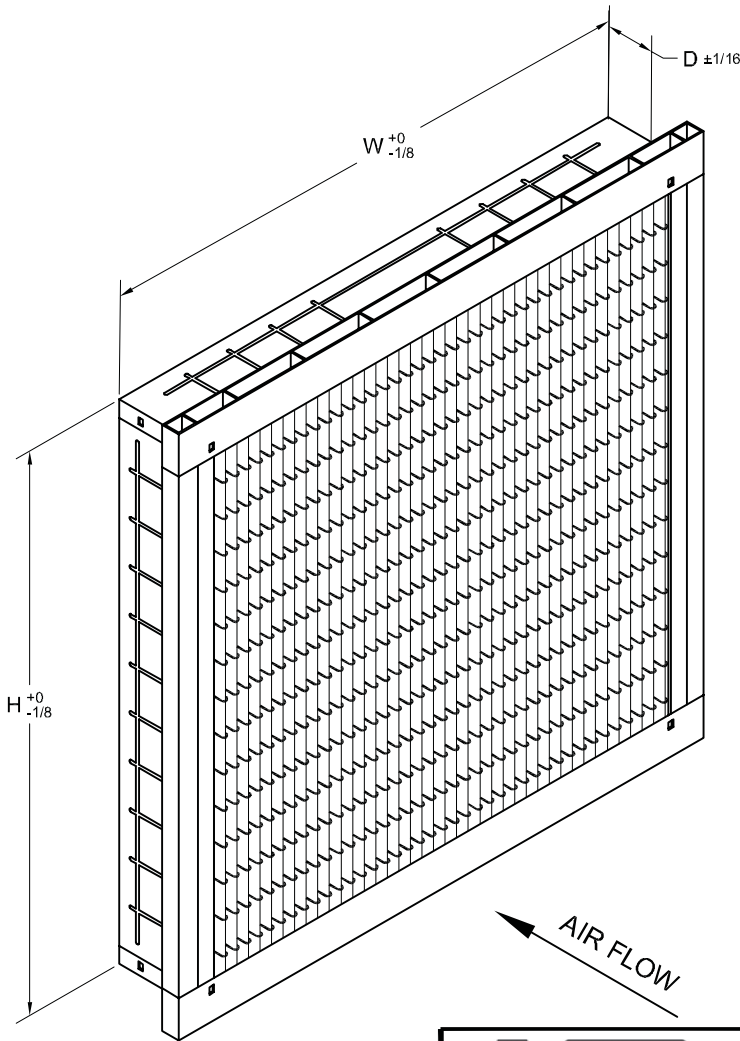


MODEL NUMBER	NOMINAL SIZE (INCH) WXHXD	ACTUAL SIZE (INCH) HXWXD	RATED AIR FLOW (CFM)	INITIAL RESISTANCE (IN W.G.)	MEDIA AREA (FT ²)	MERV RATING
LG4-904-PH	24X24X4	23-3/8X23-3/8X3-3/4	2000	.48	53.5	14
LG4-915-PH	20X24X4	19-3/8X23-3/8X3-3/4	1650	.48	45.0	14
LG4-913-PH	20X20X4	19-3/8X19-3/8X3-3/4	1400	.48	37.0	14
LG4-903-PH	12X24X4	11-3/8x23-3/8x3-3/4	1100	.48	26.0	14
LG4-604-PH	24X24X4	23-3/8X23-3/8X3-3/4	2000	.27	53.5	11
LG4-615-PH	20X24X4	19-3/8X23-3/8X3-3/4	1650	.27	45.0	11
LG4-613-PH	20X20X4	19-3/8X19-3/8X3-3/4	1400	.27	37.0	11
LG4-603-PH	12X24X4	11-3/8x23-3/8x3-3/4	1100	.27	26.0	11



STANDARD CONSTRUCTION

- 100% Synthetic Media
- Bead Separator Packs
- High-Impact Plastic Frame Panels
- Foamed Hot Melt Sealant

NOTES

- Testing per ASHRAE 52.2-2007
Tested At 492 FPM on 24x24 Nominal Size
- Final Resistance: 1.5" W.G.
- Rated Velocity - 500 FPM
- Maximum Operating Temperature: 140 F
- Class 1 Filter per UL Standard 900
- Special Sizes Not Available.



P.O. Box 32578
Louisville, KY 40232
P: 866-247-4827
F: 502-961-0930
www.airguard.com

CONTACT FACTORY TO
VERIFY REVISION LEVEL

TOLERANCES
UNLESS OTHERWISE SPECIFIED

FRACTIONAL -
DECIMAL -
ANGLES -

ALL DIMENSIONS IN INCHES

DRAWING NAME

4" LEGACY WITH HEADER

APPROVED BY

SPECIFICATION NO.

MKT-B-00585

PAGE

1 OF 1

SCALE

NONE

DWG. SIZE

A

REVISION

A

REVISION DATE

09/30/2009

CONFIDENTIAL - DO NOT COPY. THIS MATERIAL IS TRADE SECRET AND PROPRIETARY BEING EXCLUSIVELY OWNED BY CLC AIR. THE EXPRESSION OF THE INFORMATION CONTAINED HEREIN IS PROTECTED UNDER FEDERAL COPYRIGHT LAWS AND ALL COPYING IS PROHIBITED AND MAY BE SUBJECT TO CRIMINAL PENALTIES.