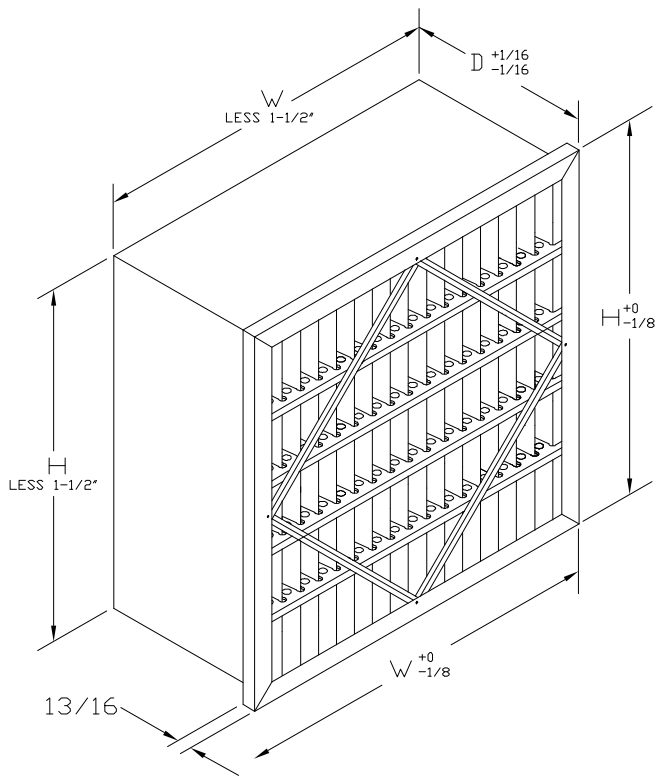


Model Number	Nominal Size (Inches) W x H x D	Actual Size (Inches) W x H x D	Rated Air Flow (CFM)	Initial Resistance (In. W.G.)	MERV	Media Area (Square Feet)
RS-904-PH	24 x 24 x 12	23- <sup>3</sup> / <sub>8</sub> x 23- <sup>3</sup> / <sub>8</sub> x 11- <sup>1</sup> / <sub>2</sub>	2000	.59	14	47
RS-915-PH	24 x 20 x 12	23- <sup>3</sup> / <sub>8</sub> x 19- <sup>3</sup> / <sub>8</sub> x 11- <sup>1</sup> / <sub>2</sub>	1650	.59	14	40
RS-913-PH	20 x 20 x 12	19- <sup>3</sup> / <sub>8</sub> x 19- <sup>3</sup> / <sub>8</sub> x 11- <sup>1</sup> / <sub>2</sub>	1400	.59	14	32
RS-903-PH	24 x 12 x 12	23- <sup>3</sup> / <sub>8</sub> x 11- <sup>1</sup> / <sub>2</sub> x 11- <sup>1</sup> / <sub>2</sub>	1000	.59	14	23
RS-804-PH	24 x 24 x 12	23- <sup>3</sup> / <sub>8</sub> x 23- <sup>3</sup> / <sub>8</sub> x 11- <sup>1</sup> / <sub>2</sub>	2000	.50	13	47
RS-815-PH	24 x 20 x 12	23- <sup>3</sup> / <sub>8</sub> x 19- <sup>3</sup> / <sub>8</sub> x 11- <sup>1</sup> / <sub>2</sub>	1650	.50	13	40
RS-813-PH	20 x 20 x 12	19- <sup>3</sup> / <sub>8</sub> x 19- <sup>3</sup> / <sub>8</sub> x 11- <sup>1</sup> / <sub>2</sub>	1400	.50	13	32
RS-803-PH	24 x 12 x 12	23- <sup>3</sup> / <sub>8</sub> x 11- <sup>1</sup> / <sub>2</sub> x 11- <sup>1</sup> / <sub>2</sub>	1000	.50	13	43
RS-604-PH	24 x 24 x 12	23- <sup>3</sup> / <sub>8</sub> x 23- <sup>3</sup> / <sub>8</sub> x 11- <sup>1</sup> / <sub>2</sub>	2000	.29	11	47
RS-615-PH	24 x 20 x 12	23- <sup>3</sup> / <sub>8</sub> x 19- <sup>3</sup> / <sub>8</sub> x 11- <sup>1</sup> / <sub>2</sub>	1650	.29	11	40
RS-613-PH	20 x 20 x 12	19- <sup>3</sup> / <sub>8</sub> x 19- <sup>3</sup> / <sub>8</sub> x 11- <sup>1</sup> / <sub>2</sub>	1400	.29	11	32
RS-603-PH	24 x 12 x 12	23- <sup>3</sup> / <sub>8</sub> x 11- <sup>1</sup> / <sub>2</sub> x 11- <sup>1</sup> / <sub>2</sub>	1000	.29	11	43
RS-504-PH	24 x 24 x 12	23- <sup>3</sup> / <sub>8</sub> x 23- <sup>3</sup> / <sub>8</sub> x 11- <sup>1</sup> / <sub>2</sub>	2000	.26	10	47
RS-515-PH	24 x 20 x 12	23- <sup>3</sup> / <sub>8</sub> x 19- <sup>3</sup> / <sub>8</sub> x 11- <sup>1</sup> / <sub>2</sub>	1650	.26	10	40
RS-513-PH	20 x 20 x 12	19- <sup>3</sup> / <sub>8</sub> x 19- <sup>3</sup> / <sub>8</sub> x 11- <sup>1</sup> / <sub>2</sub>	1400	.26	10	32
RS-503-PH	24 x 12 x 12	23- <sup>3</sup> / <sub>8</sub> x 11- <sup>1</sup> / <sub>2</sub> x 11- <sup>1</sup> / <sub>2</sub>	1000	.26	10	23



#### STANDARD CONSTRUCTION

1. High Efficiency Synthetic Filter Media
2. Expanded Metal Pleat Supports
3. Adhesive Seal on All Four Media Pack Sides
4. 24 Gauge Galvanized Steel Cell Sides
5. Plastic Fingers Maintain Pleat Spacing
6. Diagonal Support Braces on Air Entering and Air Leaving Sides for Additional Rigidity
7. 13/16" Header on Air Entering Side Standard
8. 1-1/8" 'C' Style Header Optional  
(Add 'CH' Suffix on the Model Number)

#### NOTES

1. MERV per ASHRAE 52.2-2007  
Tested at 492 FPM on 24x24x12 Standard Size
2. Final Resistance: 1.5" W.G.
3. Rated Velocity 12" Deep - 500 FPM
4. Class 2 Filter Per U.L. Standard 900
5. Maximum Operating Temperature: 180 deg. F
6. Optional Gasket Available  
U - Upstream Gasket (Ex: RS-904-PH-U)  
D - Downstream Gasket  
UD- Both Sides  
SA - Side Access
7. Special Sizes Not Available



100 River Ridge Circle  
Jeffersonville, IN 47130  
P: 866-247-4827  
F: 502-961-0930  
www.airguard.com

CONTACT FACTORY TO  
VERIFY REVISION LEVEL

#### TOLERANCES UNLESS OTHERWISE SPECIFIED

FRACTIONAL -  
DECIMAL -  
ANGLES -

ALL DIMENSIONS IN INCHES

DRAWING NAME

VARI-PAK S/PH

APPROVED BY

*K. O. Quinn*

SPECIFICATION NO.

MKT-B-00132

PAGE

1 OF 1

SCALE

NONE

DWG. SIZE

A

REVISION

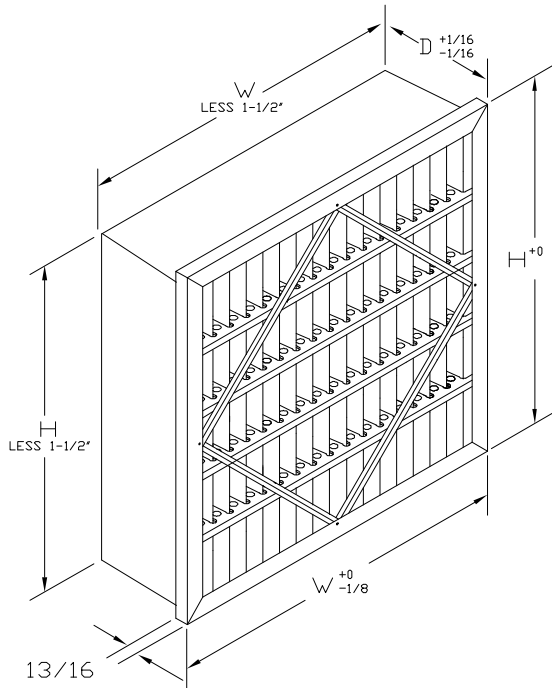
H

REVISION DATE

11-29-11

CONFIDENTIAL - DO NOT COPY. THIS MATERIAL IS TRADE SECRET AND PROPRIETARY BEING EXCLUSIVELY OWNED BY CLC AIR. THE EXPRESSION OF THE INFORMATION CONTAINED HEREIN IS PROTECTED UNDER FEDERAL COPYRIGHT LAWS AND ALL COPYING IS PROHIBITED AND MAY BE SUBJECT TO CRIMINAL PENALTIES.

Model Number	Nominal Size (Inches) W x H x D	Actual Size (Inches) W x H x D	Rated Air Flow (CFM)	Initial Resistance (In. W.G.)	MERV	Media Area (Square Feet)
RS-902-PH	24 x 24 x 6	23-3/8 x 23-3/8 x 5-7/8	1000	.59	14	27
RS-914-PH	20 x 20 x 6	19-3/8 x 19-3/8 x 5-7/8	700	.59	14	17
RS-901-PH	24 x 12 x 6	23-3/8 x 11-3/8 x 5-7/8	500	.59	14	13
RS-802-PH	24 x 24 x 6	23-3/8 x 23-3/8 x 5-7/8	1000	.50	13	27
RS-814-PH	20 x 20 x 6	19-3/8 x 19-3/8 x 5-7/8	700	.50	13	17
RS-801-PH	24 x 12 x 6	23-3/8 x 11-3/8 x 5-7/8	500	.50	13	13
RS-602-PH	24 x 24 x 6	23-3/8 x 23-3/8 x 5-7/8	1000	.29	11	27
RS-614-PH	20 x 20 x 6	19-3/8 x 19-3/8 x 5-7/8	700	.29	11	17
RS-601-PH	24 x 12 x 6	23-3/8 x 11-3/8 x 5-7/8	500	.29	11	13
RS-502-PH	24 x 24 x 6	23-3/8 x 23-3/8 x 5-7/8	1000	.26	10	27
RS-514-PH	20 x 20 x 6	19-3/8 x 19-3/8 x 5-7/8	700	.26	10	17
RS-501-PH	24 x 12 x 6	23-3/8 x 11-3/8 x 5-7/8	500	.26	10	13



#### STANDARD CONSTRUCTION

1. High Efficiency Synthetic Filter Media
2. Expanded Metal Pleat Supports
3. Adhesive Seal on All Four Media Pack Sides
4. 24 Gauge Galvanized Steel Cell Sides
5. Plastic Fingers Maintain Pleat Spacing
6. Diagonal Support Braces on Air Entering and Air Leaving Sides for Additional Rigidity
7. 13/16" Header on Air Entering Side Standard
8. 1-1/8" 'C' Style Header Optional  
(Add 'CH' Suffix on the Model Number)

#### NOTES

1. MERV per ASHRAE 52.2-2007  
Tested at 492 FPM on 24x24x12 Standard Size
2. Final Resistance: 1.5" W.G.
3. Rated Velocity 6" Deep - 250 FPM
4. Class 2 Filter Per U.L. Standard 900
5. Maximum Operating Temperature: 180 deg. F
6. Optional Gasket Available  
U - Upstream Gasket (Ex: RS-904-PH-U)  
D - Downstream Gasket  
UD- Both Sides  
SA - Side Access
7. Special Sizes Not Available



100 River Ridge Circle  
Jeffersonville, IN 47130  
P: 866-247-4827  
F: 502-961-0930  
www.airguard.com

CONTACT FACTORY TO  
VERIFY REVISION LEVEL

#### TOLERANCES UNLESS OTHERWISE SPECIFIED

FRACTIONAL -  
DECIMAL -  
ANGLES -

ALL DIMENSIONS IN INCHES

DRAWING NAME

VARI-PAK S/PH

APPROVED BY

*K. Quinn*

SPECIFICATION NO.

MKT-B-00633

PAGE

1 OF 1

SCALE

NONE

DWG. SIZE

A

REVISION

A

REVISION DATE

11-29-11

CONFIDENTIAL - DO NOT COPY. THIS MATERIAL IS TRADE SECRET AND PROPRIETARY BEING EXCLUSIVELY OWNED BY CLC AIR. THE EXPRESSION OF THE INFORMATION CONTAINED HEREIN IS PROTECTED UNDER FEDERAL COPYRIGHT LAWS AND ALL COPYING IS PROHIBITED AND MAY BE SUBJECT TO CRIMINAL PENALTIES.