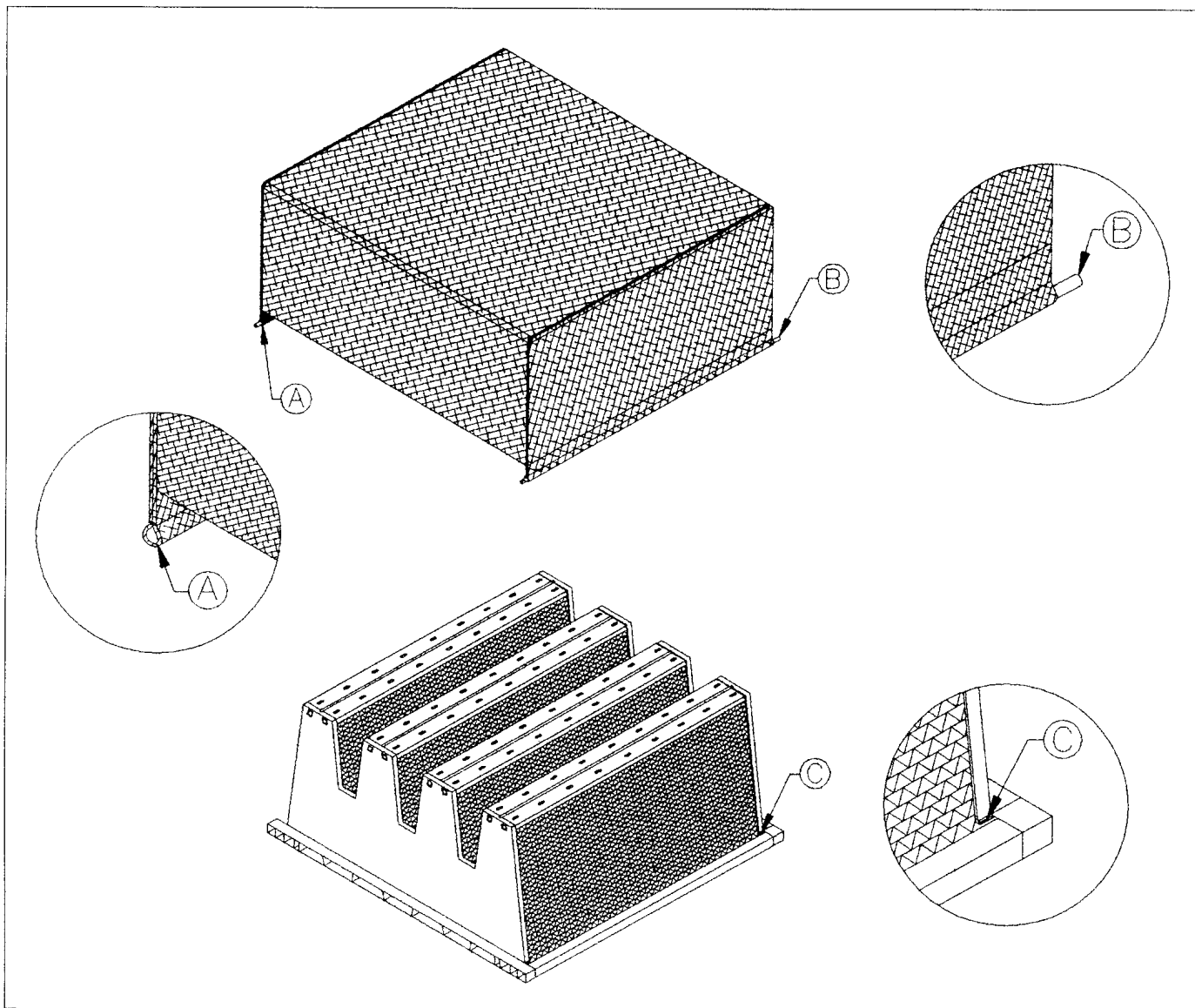


INSTRUCTIONS FOR INSTALLING THE VARI-SOCK AFTER FILTER



1. Push metal bars (B) through end of media (A) exposing approximately 1/2" of the metal bars (B) at each end.
2. Place tackified side of media on air entering side.
3. Push ends of metal bars (B) into the back side of the header frame just under plastic tab (C).
4. Make sure tackified media fits snugly against top and bottom end plates.
5. Make sure metal bars (B) fit snugly along left and right side of header.
6. For Vari-Plus units that are installed backwards, (reverse flow) install after filter exactly the same way as described above for the Vari-Pure filter.



AIRGUARD

P.O. BOX 32578, LOUISVILLE, KENTUCKY 40232-2578
(502) 969-2304

FAX (502) 966-0074

Airguard has a policy of continuous product research and development and reserves the right to change design and specifications without notice.