

| Model Number  | Nominal Size (Inches) W x H x D | Actual Size (Inches) W x H x D | Rated Air Flow (CFM) | Initial Resistance (In. W.G.) | Media Area (Square Feet) |
|---------------|---------------------------------|--------------------------------|----------------------|-------------------------------|--------------------------|
| MX40-STD1-109 | 10 x 10 x 1                     | 9-1/2 x 9-1/2 x 3/4            | 210                  | .27                           | 1.4                      |
| MX40-STD1-177 | 10 x 15 x 1                     | 9-3/4 x 14-3/4 x 3/4           | 310                  | .27                           | 1.8                      |
| MX40-STD1-117 | 10 x 20 x 1                     | 9-1/2 x 19-1/2 x 3/4           | 415                  | .27                           | 2.4                      |
| MX40-STD1-124 | 10 x 24 x 1                     | 9-3/8 x 23-3/8 x 3/4           | 500                  | .27                           | 2.8                      |
| MX40-STD1-122 | 12 x 12 x 1                     | 11-3/4 x 11-3/4 x 3/4          | 300                  | .27                           | 1.7                      |
| MX40-STD1-123 | 12 x 16 x 1                     | 11-1/2 x 15-3/4 x 3/4          | 400                  | .27                           | 2.3                      |
| MX40-STD1-120 | 12 x 20 x 1                     | 11-1/2 x 19-1/2 x 3/4          | 500                  | .27                           | 2.9                      |
| MX40-STD1-110 | 12 x 24 x 1                     | 11-3/8 x 23-3/8 x 3/4          | 600                  | .27                           | 3.4                      |
| MX40-STD1-133 | 14 x 14 x 1                     | 13-3/4 x 13-3/4 x 3/4          | 410                  | .27                           | 2.4                      |
| MX40-STD1-139 | 14 x 20 x 1                     | 13-1/2 x 19-1/2 x 3/4          | 585                  | .27                           | 3.4                      |
| MX40-STD1-159 | 14 x 24 x 1                     | 13-3/8 x 23-3/8 x 3/4          | 700                  | .27                           | 4.0                      |
| MX40-STD1-141 | 14 x 25 x 1                     | 13-1/2 x 24-1/2 x 3/4          | 730                  | .27                           | 4.2                      |
| MX40-STD1-137 | 14 x 30 x 1*                    | 13-3/4 x 29-3/4 x 3/4          | 875                  | .27                           | 5.0                      |
| MX40-STD1-145 | 15 x 20 x 1                     | 14-1/2 x 19-1/2 x 3/4          | 625                  | .27                           | 3.6                      |
| MX40-STD1-140 | 15 x 30 x 1*                    | 14-3/4 x 29-3/4 x 3/4          | 935                  | .27                           | 5.4                      |
| MX40-STD1-143 | 16 x 16 x 1                     | 15-1/2 x 15-1/2 x 3/4          | 530                  | .27                           | 3.1                      |
| MX40-STD1-101 | 16 x 20 x 1                     | 15-1/2 x 19-1/2 x 3/4          | 665                  | .27                           | 3.8                      |
| MX40-STD1-116 | 16 x 24 x 1                     | 15-3/8 x 23-3/8 x 3/4          | 800                  | .27                           | 4.6                      |
| MX40-STD1-102 | 16 x 25 x 1                     | 15-1/2 x 24-1/2 x 3/4          | 835                  | .27                           | 4.8                      |
| MX40-STD1-146 | 16 x 30 x 1*                    | 15-3/4 x 29-3/4 x 3/4          | 1000                 | .27                           | 5.8                      |
| MX40-STD1-183 | 18 x 18 x 1                     | 17-3/4 x 17-3/4 x 3/4          | 675                  | .27                           | 3.7                      |
| MX40-STD1-180 | 18 x 20 x 1                     | 17-3/8 x 19-1/2 x 3/4          | 750                  | .27                           | 4.0                      |
| MX40-STD1-182 | 18 x 22 x 1                     | 17-3/8 x 21-1/2 x 3/4          | 825                  | .27                           | 4.8                      |
| MX40-STD1-112 | 18 x 24 x 1                     | 17-3/8 x 23-3/8 x 3/4          | 900                  | .27                           | 4.8                      |
| MX40-STD1-185 | 18 x 25 x 1                     | 17-1/2 x 24-1/2 x 3/4          | 935                  | .27                           | 5.1                      |
| MX40-STD1-103 | 20 x 20 x 1                     | 19-1/2 x 19-1/2 x 3/4          | 830                  | .27                           | 4.8                      |
| MX40-STD1-166 | 20 x 22 x 1                     | 19-3/4 x 21-3/4 x 3/4          | 915                  | .27                           | 5.7                      |
| MX40-STD1-111 | 20 x 24 x 1                     | 19-3/8 x 23-3/8 x 3/4          | 1000                 | .27                           | 5.7                      |
| MX40-STD1-104 | 20 x 25 x 1                     | 19-1/2 x 24-1/2 x 3/4          | 1040                 | .27                           | 6.0                      |
| MX40-STD1-151 | 22 x 22 x 1                     | 21-3/4 x 21-3/4 x 3/4          | 1250                 | .27                           | 5.7                      |
| MX40-STD1-132 | 20 x 30 x 1*                    | 29-1/2 x 19-1/2 x 3/4          | 1005                 | .27                           | 7.2                      |
| MX40-STD1-105 | 24 x 24 x 1                     | 23-3/8 x 23-3/8 x 3/4          | 1200                 | .27                           | 6.6                      |
| MX40-STD1-153 | 24 x 30 x 1*                    | 23-3/4 x 29-3/4 x 3/4          | 1500                 | .27                           | 8.5                      |
| MX40-STD1-125 | 25 x 25 x 1                     | 24-1/2 x 24-1/2 x 3/4          | 1300                 | .27                           | 7.5                      |

\* Denotes Reversed Pleat Orientation

**STANDARD CONSTRUCTION**

- 100% Synthetic White Un-Dyed Media
- 12 Pleats Per Foot
- Expanded Metal Pleat Supports
- Moisture Resistant Beverage Board Frame
- Double Wall Frame

**NOTES**

- MERV 8 Per ASHRAE 52.2-2007  
MERV-A 8-A Per ASHRAE 52.2-2007 Appendix J.  
Tested at 295 FPM on 24x24x1 Nominal Size
- Final Resistance: 1.0" W.G.
- Rated Velocity: 300 FPM
- Class 2 Filter per U.L. Standard 900
- Maximum Operating Temperature: 225 DEG F



100 River Ridge Circle  
Jeffersonville, IN 47130  
P: 866-925-2247  
F: 502-961-0930  
www.purolatorair.com

CONTACT FACTORY TO  
VERIFY REVISION LEVEL

**TOLERANCES  
UNLESS OTHERWISE SPECIFIED**

- FRACTIONAL —  
DECIMAL —  
ANGLES —

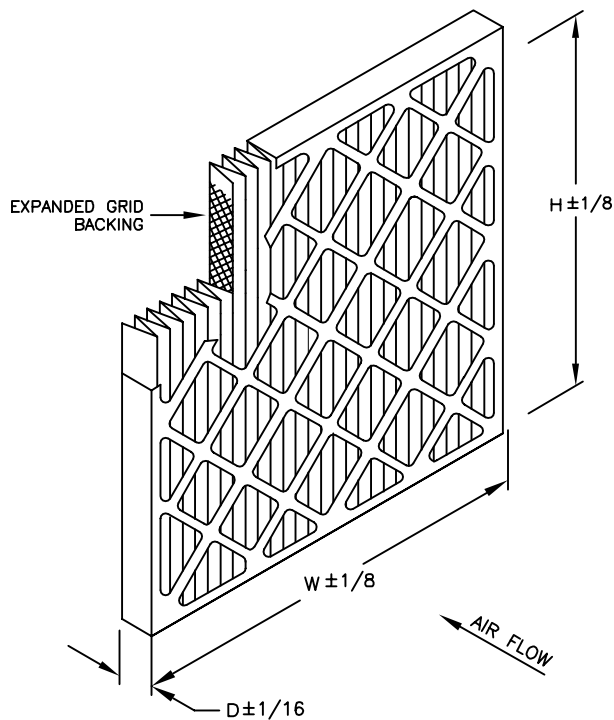
ALL DIMENSIONS IN INCHES

DRAWING NAME

**TYPE DP-MAX PLEAT (1" DEPTH)**

|                                |                                  |                           |
|--------------------------------|----------------------------------|---------------------------|
| APPROVED BY<br><i>K. Quinn</i> | SPECIFICATION NO.<br>MKT-B-00548 | PAGE<br>1 OF 1            |
| SCALE<br>NONE                  | DWG. SIZE<br>A                   | REVISION<br>C             |
|                                |                                  | REVISION DATE<br>10-13-10 |

CONFIDENTIAL - DO NOT COPY. THIS MATERIAL IS TRADE SECRET AND PROPRIETARY BEING EXCLUSIVELY OWNED BY CLC AIR. THE EXPRESSION OF THE INFORMATION CONTAINED HEREIN IS PROTECTED UNDER FEDERAL COPYRIGHT LAWS AND ALL COPYING IS PROHIBITED AND MAY BE SUBJECT TO CRIMINAL PENALTIES.



| MODEL NUMBER  | NOMINAL SIZE IN. W X H X D | ACTUAL SIZE IN. W X H X D | RATED AIR FLOW CFM | INITIAL RESISTANCE IN. W.G. | MEDIA AREA SQ. FT. |
|---------------|----------------------------|---------------------------|--------------------|-----------------------------|--------------------|
| MX40-STD2-217 | 10 X 20 X 2                | 9-1/2 X 19-1/2 X 1-3/4    | 700                | .29                         | 4.7                |
| MX40-STD2-220 | 12 X 20 X 2                | 11-1/2 X 19-1/2 X 1-3/4   | 840                | .29                         | 5.2                |
| MX40-STD2-210 | 12 X 24 X 2                | 11-3/8 X 23-3/8 X 1-3/4   | 1000               | .29                         | 6.2                |
| MX40-STD2-239 | 14 X 20 X 2                | 13-1/2 X 19-1/2 X 1-3/4   | 980                | .29                         | 5.7                |
| MX40-2TD2-241 | 14 X 25 X 2                | 13-1/2 X 24-1/2 X 1-3/4   | 1220               | .29                         | 7.1                |
| MX40-STD2-245 | 15 X 20 X 2                | 14-1/2 X 19-1/2 X 1-3/4   | 1050               | .29                         | 6.2                |
| MX40-STD2-201 | 16 X 20 X 2                | 15-1/2 X 19-1/2 X 1-3/4   | 1120               | .29                         | 6.7                |
| MX40-STD2-216 | 16 X 24 X 2                | 15-3/8 X 23-3/8 X 1-3/4   | 1340               | .29                         | 8.0                |
| MX40-STD2-202 | 16 X 25 X 2                | 15-1/2 X 24-1/2 X 1-3/4   | 1400               | .29                         | 8.0                |
| MX40-STD2-280 | 18 X 20 X 2                | 17-1/2 X 19-1/2 X 1-3/4   | 1250               | .29                         | 7.8                |
| MX40-STD2-212 | 18 X 24 X 2                | 17-3/8 X 23-3/8 X 1-3/4   | 1500               | .29                         | 9.3                |
| MX40-STD2-285 | 18 X 25 X 2                | 17-1/2 X 24-1/2 X 1-3/4   | 1570               | .29                         | 9.7                |
| MX40-STD2-203 | 20 X 20 X 2                | 19-1/2 X 19-1/2 X 1-3/4   | 1400               | .29                         | 8.3                |
| MX40-STD2-211 | 20 X 24 X 2                | 19-3/8 X 23-3/8 X 1-3/4   | 1670               | .29                         | 9.9                |
| MX40-STD2-204 | 20 X 25 X 2                | 19-1/2 X 24-1/2 X 1-3/4   | 1750               | .29                         | 10.3               |
| MX40-STD2-205 | 24 X 24 X 2                | 23-3/8 X 23-3/8 X 1-3/4   | 2000               | .29                         | 11.7               |
| MX40-STD2-225 | 25 X 25 X 2                | 24-1/2 X 24-1/2 X 1-3/4   | 2170               | .29                         | 13.6               |

#### STANDARD CONSTRUCTION

1. 100% Synthetic White Un-Dyed Media
2. 10.0 Pleats Per Foot
3. Expanded Metal Pleat Supports
4. Moisture Resistant Beverage Board Frame
5. Double Wall Frame

#### NOTES

1. MERV 8 ASHRAE 52.2-2007 After Conditioning
2. Final Resistance: 1.0" W.G.
3. Rated Velocity: 500 FPM
4. Class 2 Filter Per U.L. Standard 900
5. Maximum Operating Temperature: 225 DEG. F



P.O. Box 32578  
 Louisville, KY 40232  
 P: 866-247-4827  
 F: 502-961-0930  
 © www.airguard.com

CONTACT FACTORY TO  
 VERIFY REVISION LEVEL

#### TOLERANCES UNLESS OTHERWISE SPECIFIED

FRACTIONAL -  
 DECIMAL -  
 ANGLES -

ALL DIMENSIONS IN INCHES

DRAWING NAME

**TYPE DP-MAX PLEAT (2" DEPTH)**

APPROVED BY

*K. Quinn*

SPECIFICATION NO.

MKT-B-00549

PAGE

1 OF 1

SCALE

NONE

DWG. SIZE

A

REVISION

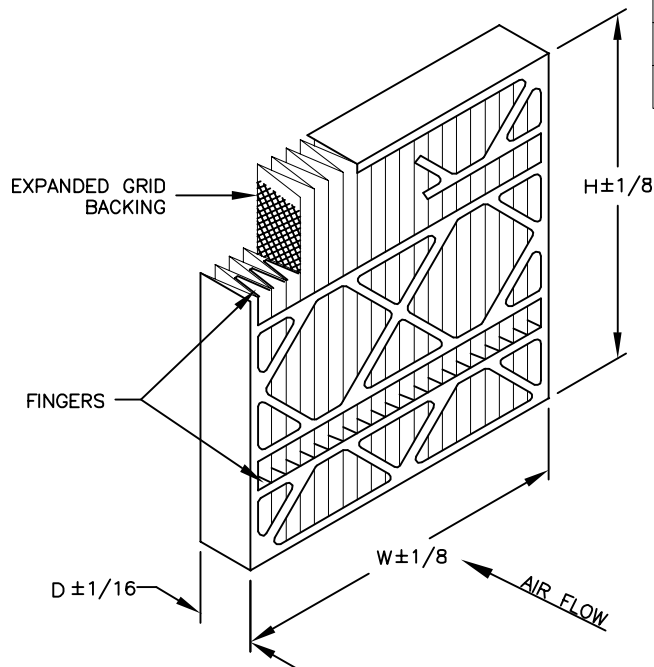
NEW

REVISION DATE

07-25-08

CONFIDENTIAL - DO NOT COPY. THIS MATERIAL IS TRADE SECRET AND PROPRIETARY BEING EXCLUSIVELY OWNED BY CLG AIR. THE EXPRESSION OF THE INFORMATION CONTAINED HEREIN IS PROTECTED UNDER FEDERAL COPYRIGHT LAWS AND ALL COPYING IS PROHIBITED AND MAY BE SUBJECT TO CRIMINAL PENALTIES.

| MODEL NUMBER  | NOMINAL SIZE<br>W X H X D | ACTUAL SIZE<br>W X H X D | RATED AIR<br>FLOW CFM | INITIAL RESISTANCE<br>IN W.C. | MEDIA AREA<br>SQ. FT. |
|---------------|---------------------------|--------------------------|-----------------------|-------------------------------|-----------------------|
| MX40-STD4-410 | 12 X 24 X 4               | 11-3/8 X 23-3/8 X 3-3/4  | 1000                  | .24                           | 11.2                  |
| MX40-STD4-498 | 15 X 27 X 4               | 14-1/2 X 26-3/4 X 3-3/4  | 1350                  | .24                           | 14.8                  |
| MX40-STD4-401 | 16 X 20 X 4               | 15-1/2 X 19-1/2 X 3-3/4  | 1120                  | .24                           | 12.5                  |
| MX40-STD4-402 | 16 X 25 X 4               | 15-1/2 X 24-1/2 X 3-3/4  | 1400                  | .24                           | 15.6                  |
| MX40-STD4-412 | 18 X 24 X 4               | 17-3/8 X 23-3/8 X 3-3/4  | 1500                  | .24                           | 16.2                  |
| MX40-STD4-403 | 20 X 20 X 4               | 19-1/2 X 19-1/2 X 3-3/4  | 1400                  | .24                           | 15.7                  |
| MX40-STD4-411 | 20 X 24 X 4               | 19-3/8 X 23-3/8 X 3-3/4  | 1670                  | .24                           | 18.7                  |
| MX40-STD4-404 | 20 X 25 X 4               | 19-1/2 X 24-1/2 X 3-3/4  | 1750                  | .24                           | 19.6                  |
| MX40-STD4-405 | 24 X 24 X 4               | 23-3/8 X 23-3/8 X 3-3/4  | 2000                  | .24                           | 22.4                  |
| MX40-STD4-428 | 29 X 25 X 4               | 28-1/2 X 24-1/2 X 3-3/4  | 2430                  | .24                           | 26.1                  |
| MX40-STD4-431 | 30 X 28 X 4               | 29-1/2 X 27-1/2 X 3-3/4  | 2920                  | .24                           | 31.1                  |



**STANDARD CONSTRUCTION**

1. 100% Synthetic White Un-Dyed Media
2. 9 Pleats Per Foot
3. Expanded Metal Pleat Supports
4. Moisture Resistant Beverage Board Frame
5. Double Wall Frame
6. (2) Rows of Fingers on Air Entering Side

**NOTES**

1. MERV 8 ASHRAE 52.2-2007 After Conditioning
2. Final Resistance: 1.0" W.G.
3. Rated Velocity: 500 FPM
4. Class 2 Filter Per U.L. Standard 900
5. Maximum Operating Temperature: 225 deg. F

**AIRGUARD**  
P.O. Box 32578  
Louisville, KY 40232  
P: 866-247-4827  
F: 502-961-0930  
© www.airguard.com

CONTACT FACTORY TO  
VERIFY REVISION LEVEL

**TOLERANCES**  
UNLESS OTHERWISE SPECIFIED

- FRACTIONAL -  
DECIMAL -  
ANGLES -

ALL DIMENSIONS IN INCHES

|   |                                  |                |                            |
|---|----------------------------------|----------------|----------------------------|
| DRAWING NAME<br><b>TYPE DP-MAX PLEAT (4" DEPTH)</b> |                                  |                |                            |
| APPROVED BY<br><i>K. Quinn</i>                      | SPECIFICATION NO.<br>MKT-B-00550 | PAGE<br>1 OF 1 |                            |
| SCALE<br>NONE                                       | DWG. SIZE<br>NEW                 | REVISION<br>D  | REVISION DATE<br>7/25/2008 |

CONFIDENTIAL - DO NOT COPY. THIS MATERIAL IS TRADE SECRET AND PROPRIETARY BEING EXCLUSIVELY OWNED BY CLG AIR. THE EXPRESSION OF THE INFORMATION CONTAINED HEREIN IS PROTECTED UNDER FEDERAL COPYRIGHT LAWS AND ALL COPYING IS PROHIBITED AND MAY BE SUBJECT TO CRIMINAL PENALTIES.