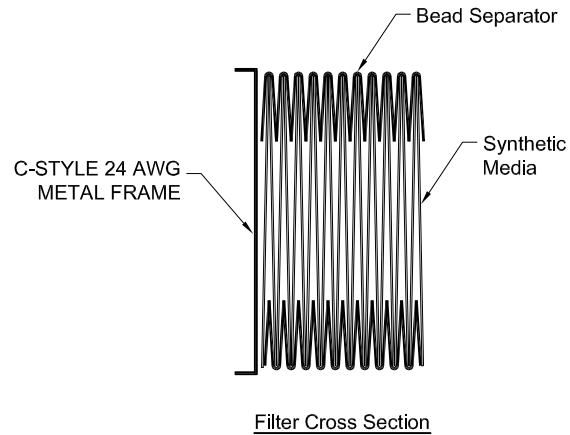
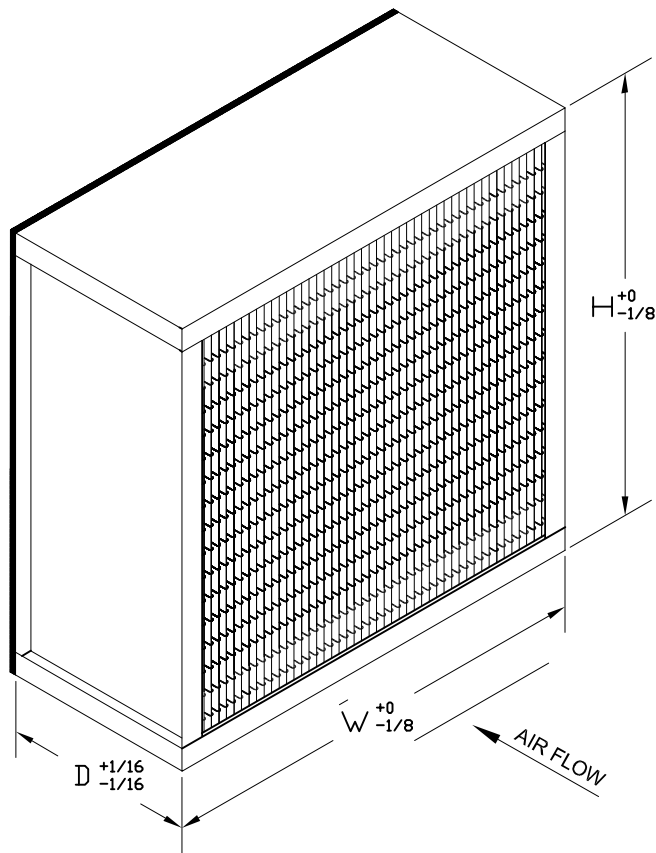


MODEL NUMBER	CONSTRUCTION CODE	NOMINAL SIZE (INCHES) HXWXD	ACTUAL SIZE (INCHES) HXWXD	RATED AIR FLOW (CFM)	INITIAL RESISTANCE (IN. W.G.)	MEDIA AREA (SQUARE FEET)	Efficiency @ 0.3 Micron
MGLR-501-MC	K2424B00-0EG00000E	24X24X12	24X24X11-1/2	2000	.53	122	99% +
MGLR-501A-MC	K2323B33-0EG00000E	24X24X12	23-3/8X23-3/8X11-1/2	2000	.54	116	99% +
MGLR-507A-MC	K2319B33-0EG00000E	24X20X12	23-3/8X19-3/8X11-1/2	1640	.53	100	99% +
MGLR-506A-MC	K1919B33-0EG00000E	20X20X12	19-3/8X19-3/8X11-1/2	1400	.53	83	99% +
MGLR-500-MC	K2412B00-0EG00000E	24X12X12	24X12X11-1/2	1000	.53	61	99% +
MGLR-500A-MC	K2311B33-0EG00000E	24X12X12	23-3/8X11-3/8X11-1/2	1000	.54	56	99% +




STANDARD CONSTRUCTION

- 100% Synthetic Media
- Bead Separator Packs
- 24 AWG galvanized metal box frame
- Urethane Sealant
- 1/4 x 3/4 neoprene gasket down stream
- Other gasket locations optional

NOTES

- Testing per LMS 2000 using emery oil, neutralized
- Standard final resistance 1.5" W.C.
- Optimal final resistance 1.06" W.C.
- Rated Velocity - 500 FPM
- Maximum Operating Temperature: 180 deg. F
- Class 2 Filter per UL Standard 900
- Contact factory for special sizes

 <p>100 River Ridge Circle Jeffersonville, IN 47130 P: 866-247-4827 F: 502-961-0930 www.airguard.com</p>	<p>TOLERANCES UNLESS OTHERWISE SPECIFIED</p> <p>FRACTIONAL - DECIMAL - ANGLES -</p>	DRAWING NAME MICRO GUARD LR METAL BOX FRAME			
		APPROVED BY <i>K. Quinn</i>	SPECIFICATION NO. MKT-B-00593	PAGE 1 OF 1	
<p>CONTACT FACTORY TO VERIFY REVISION LEVEL</p>		SCALE NONE	DWG. SIZE A	REVISION NEW	REVISION DATE 1/13/2010
		<p>CONFIDENTIAL - DO NOT COPY. THIS MATERIAL IS TRADE SECRET AND PROPRIETARY BEING EXCLUSIVELY OWNED BY CLC AIR. THE EXPRESSION OF THE INFORMATION CONTAINED HEREIN IS PROTECTED UNDER FEDERAL COPYRIGHT LAWS AND ALL COPYING IS PROHIBITED AND MAY BE SUBJECT TO CRIMINAL PENALTIES.</p>			
<p>ALL DIMENSIONS IN INCHES</p>					