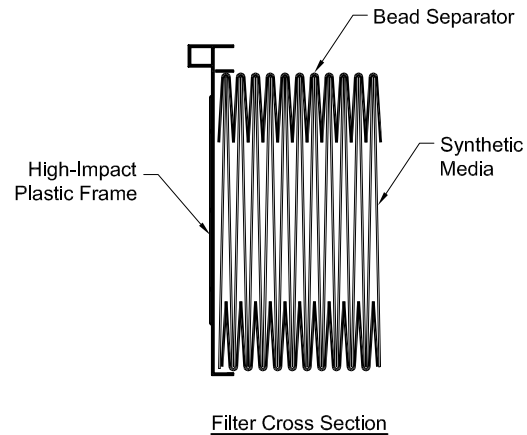
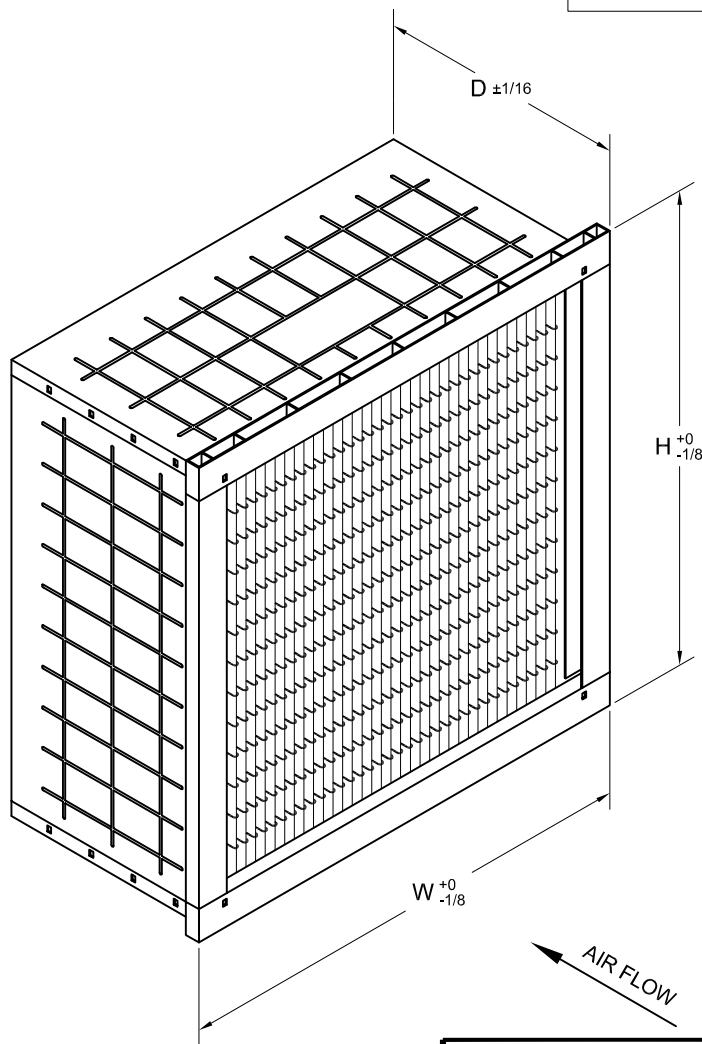


MODEL NUMBER	CONSTRUCTION CODE	NOMINAL SIZE (INCHES) HXWXD	ACTUAL SIZE (INCHES) HXWXD	RATED AIR FLOW (CFM)	INITIAL RESISTANCE (IN. W.G.)	MEDIA AREA (SQUARE FEET)	Efficiency @ 0.3 Micron
MGLR-501A-PH-SA	K2323B33-0PA14000E	24X24X12	23-3/8X23-3/8X11-1/2	2000	.58	101	99% +
MGLR-507A-PH-SA	K2319B33-0PA14000E	24X20X12	19-3/8X23-3/8X11-1/2	1650	.58	83	99% +
MGLR-506A-PH-SA	K1919B33-0PA14000E	20X20X12	19-3/8X19-3/8X11-1/2	1400	.58	69	99% +
MGLR-500A-PH-SA	K2311B33-0PA14000E	24X12X12	11-3/8X23-3/8X11-1/2	1000	.58	49	99% +



STANDARD CONSTRUCTION

- 100% Synthetic Media
- Bead Separator Packs
- High-Impact Poly Styrene Plastic Frame Panels
- Urethane Sealant
- 1/4 x 3/4 neoprene gasket on one vertical side of header for side access installation
- Other gasket locations optional

NOTES

- Testing per LMS 2000 using emery oil, neutralized
- Standard final Resistance: 1.5" W.C.
- Optimal final resistance 1.16" W.C.
- Rated Velocity - 500 FPM
- Maximum Operating Temperature: 160 deg. F
- Class 2 Filter per UL Standard 900
- Special Sizes Not Available.

<p>100 River Ridge Circle Jeffersonville, IN 47130 P: 866-247-4827 F: 502-961-0930 www.airguard.com</p>	<p>TOLERANCES UNLESS OTHERWISE SPECIFIED</p> <p>FRACTIONAL - DECIMAL - ANGLES -</p>	<p>DRAWING NAME MICRO GUARD LR PLASTIC WITH HEADER</p>	
	<p>CONTACT FACTORY TO VERIFY REVISION LEVEL</p>	<p>APPROVED BY <i>K. Quinn</i> SPECIFICATION NO. MKT-B-00592 PAGE 1 OF 1</p> <p>SCALE NONE DWG. SIZE A REVISION NEW REVISION DATE 1/12/2010</p>	
<p>ALL DIMENSIONS IN INCHES</p>		<p>CONFIDENTIAL - DO NOT COPY. THIS MATERIAL IS TRADE SECRET AND PROPRIETARY BEING EXCLUSIVELY OWNED BY CLC AIR. THE EXPRESSION OF THE INFORMATION CONTAINED HEREIN IS PROTECTED UNDER FEDERAL COPYRIGHT LAWS AND ALL COPYING IS PROHIBITED AND MAY BE SUBJECT TO CRIMINAL PENALTIES.</p>	