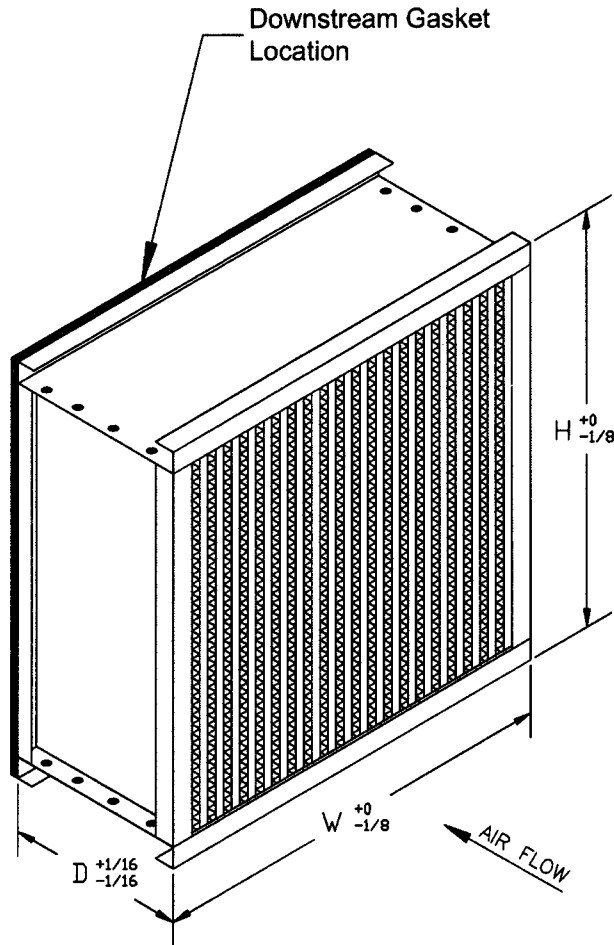
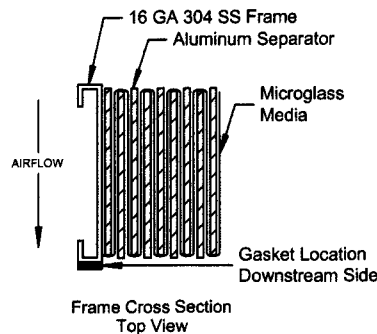


| Item Number | Model Number | Construction Code | Actual Size (Inches) H x W x D | Rated Air Flow (CFM) | Initial Resistance (In. W.G.) | Efficiency | Media Area (Square Feet) |
|-------------|-------------------|----------------------|-----------------------------------|----------------------|-------------------------------|---------------------|--------------------------|
| 2970198 | MC2000-501-HT500 | H2424B00-0JB B29 00F | 24 x 24 x 11-1/2 | 2000 | 1.35 | 99.97% @ 0.3 Micron | 301 |
| | MC2000-500-HT500 | H1224B00-0JB B29 00F | 12 x 24 x 11-1/2 | 1000 | 1.35 | 99.97% @ 0.3 Micron | 140 |
| | MC2000-500R-HT500 | H2412B00-0JB B29 00F | 24 x 12 x 11-1/2 | 1000 | 1.35 | 99.97% @ 0.3 Micron | 140 |
| | MC2000-241-HT500 | H2424A00-0JB B29 00F | 24 x 24 x 5-7/8 | 1000 | 1.35 | 99.97% @ 0.3 Micron | 158 |
| | MC2000-1202-HT500 | H1224A00-0JB B29 00F | 12 x 24 x 5-7/8 | 250 | 1.35 | 99.97% @ 0.3 Micron | 74 |
| | MC2000-1212-HT500 | H2412A00-0JB B29 00F | 24 x 12 x 5-7/8 | 250 | 1.35 | 99.97% @ 0.3 Micron | 74 |



| Construction | Code | Description |
|----------------------------|------|---|
| Standard and Certification | 0 | HEPA-IEST-RP-CC001.3, Type A per MIL-STD 282 |
| Frame Material | J | 16 GA 304 Stainless Steel |
| Frame Style | B | Double Turned Flange |
| Gasket | B | HT Red Silicone 1/4" x 3/4" (500 deg. F), Dovetail Joints |
| Gasket Location | 2 | Downstream |
| Sealant | 9 | HT Red Silicone (500 deg. F) |
| Hardware | 0 | None |
| Acceptance Level | 0 | 99.97% on 0.3 Micron Overall (Q-107 Tested) |
| Separators | F | Aluminum Separators, High Capacity |



NOTES

- Media: Micro-Glass Fiber / Acrylic Resin Binder
- Rated Velocity
11-1/2" Depth - 500 FPM
5-7/8" Depth - 250 FPM
- See Drawings MKT-B-00362 & MKT-B-00363 For Resistance Curves
- Recommended Final Resistance: 2.7" W.G. @ Rated Flow (Twice Initial Resistance)
- Class 1 Filter Per U.L Standard 900
- Maximum Operating Temperature: 500 Deg. F
- Standard Gasket Location Downstream, Construction Code 0JB B20 000
- Optional Gasket Locations (Do NOT Use Item Numbers Shown Above)
-U: Upstream Sides (Ex. MC2000-501-HT500-U), Construction Code 0JB B19 00F
-UD: Both Sides (Ex. MC2000-501-HT50-UD), Construction Code 0JB B39 00F
No Gasket (Ex. MC2000-501-HT500, No Gasket), Construction Code 0JB 759 00F



ONE SOURCE FOR AIR FILTRATION PRODUCTS
P.O. Box 32578
Louisville, KY 40232
Ph: 502-969-2304
F: 502-969-2759

CONTACT FACTORY TO VERIFY REVISION LEVEL

TOLERANCES UNLESS OTHERWISE SPECIFIED

FRACTIONAL -
DECIMAL -
ANGLES -

ALL DIMENSIONS IN INCHES

DRAWING NAME **MICROGUARD 2000 HIGH TEMPERATURE - 500 DEG F**

| | | |
|---------------------------|----------------------------------|---------------------------|
| APPROVED BY <i>KCO</i> | SPECIFICATION NO. MKT-B-00413 | PAGE 1 OF 1 |
| SCALE NONE | DWG. SIZE A | REVISION NEW |
| | | REVISION DATE 10-14-03 |

CONFIDENTIAL - DO NOT COPY. THIS MATERIAL IS TRADE SECRET AND PROPRIETARY BEING EXCLUSIVELY OWNED BY AIRGUARD. THE EXPRESSION OF THE INFORMATION CONTAINED HEREIN IS PROTECTED UNDER FEDERAL COPYRIGHT LAWS AND ALL COPYING IS PROHIBITED AND MAY BE SUBJECT TO CRIMINAL PENALTIES.