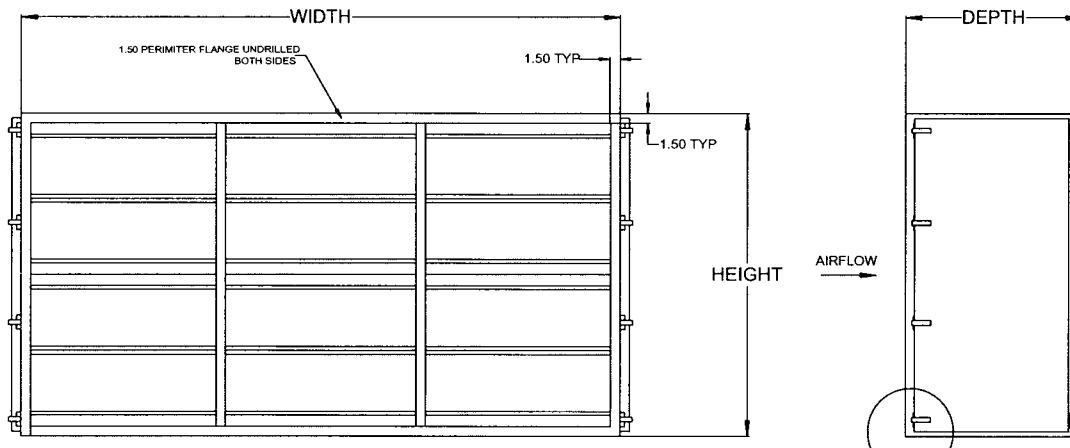
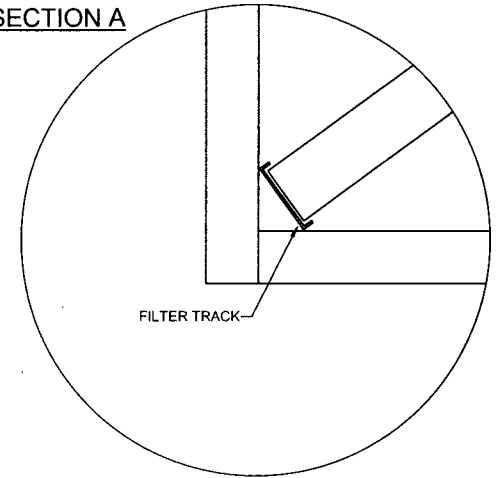


TOP VIEW

SECTION A



FRONT VIEW


SIDE VIEW

STANDARD CONSTRUCTION

1. Factory Assembled Unit. See MKT-B-00434 Page 2 Or Brochure KA-278 For Sizes And Airflow Capacity
2. 16 Gauge Aluminized Steel Construction
3. 1-1/2" Perimeter Mounting Flange Both Sides, Undrilled
4. Extruded Aluminum Track For Standard 24x24 and 12x24 Filters See MKT-B-00434 Page 2 For Filter Information
5. Each Track Sealed At End With Polyurethane Foam Gasket
6. Two Lift-Off, Hinged Access Doors Standard With Draw-Over Latches
Door Perimeters Sealed With EPDM Gasket
7. Standard Operating Temperature 200 Deg. F
8. Standard Design Pressure 3.0" W.G. Positive/Negative
9. Connection Hardware Provided By Others
10. See MKT-B-00434 Page 2 For Factory Available Options

NOTES

1. Completed Submittal Required At Time Of Order
Use Submittal SS-344

 ONE SOURCE FOR AIR FILTRATION PRODUCTS P.O. Box 32578 Louisville, KY 40232 P: 502-969-2304 F: 502-961-0930	TOLERANCES UNLESS OTHERWISE SPECIFIED		DRAWING NAME		
	FRACTIONAL +0 / -1/8 DECIMAL -- ANGLES --		V-BANK SIDE ACCESS FILTER HOUSING		
CONTACT FACTORY TO VERIFY REVISION LEVEL		APPROVED BY <i>K. Clavin</i>		SPECIFICATION NO. MKT-B-00434	PAGE 1 OF 2
		SCALE NONE	DWG. SIZE A	REVISION NEW	REVISION DATE 07-20-04
CONFIDENTIAL - DO NOT COPY. THIS MATERIAL IS TRADE SECRET AND PROPRIETARY BEING EXCLUSIVELY OWNED BY AIRGUARD. THE EXPRESSION OF THE INFORMATION CONTAINED HEREIN IS PROTECTED UNDER FEDERAL COPYRIGHT LAWS AND ALL COPYING IS PROHIBITED AND MAY BE SUBJECT TO CRIMINAL PENALTIES.					

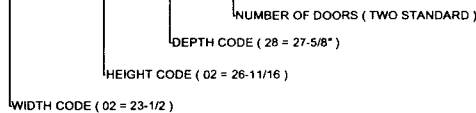
ALL DIMENSIONS IN INCHES

WIDTH CODE			01	02	03	04	05	06	07	08	09	10
# FILTERS WIDE			1/2	1	1-1/2	2	2-1/2	3	3-1/2	4	4-1/2	5
WIDTH (INCHES)			11-1/2	23-1/2	35	47	58-1/2	70-1/2	82	94	105-1/2	117-1/2
HEIGHT CODE	# FILTERS HIGH	HEIGHT (INCHES)	AIRFLOW CAPACITY (CFM) AT 500 FPM FACE VELOCITY NUMBER OF HALF SIZE 12 X 24 (H) AND FULL SIZE 24 X 24 (F) USED									
			14000 0 H 7 F	21000 7 H 7 F	28000 0 H 14 F	35000 7 H 14 F	42000 0 H 21 F	49000 7 H 21 F	56000 0 H 28 F	63000 7 H 28 F	70000 0 H 35 F	
07	3-1/2	85-3/4										
06	3	74-1/16	6000 6 H 0 F	12000 0 H 6 F	18000 6 H 6 F	24000 0 H 12 F	30000 6 H 12 F	36000 0 H 18 F	42000 6 H 18 F	48000 0 H 24 F	54000 6 H 24 F	60000 0 H 30 F
05	2-1/2	62-1/16		10000 0 H 5 F	15000 5 H 5 F	20000 0 H 10 F	25000 5 H 10 F	30000 0 H 15 F	35000 5 H 15 F	40000 0 H 20 F	45000 5 H 20 F	50000 0 H 25 F
04	2	50-3/8	4000 4 H 0 F	8000 0 H 4 F	12000 4 H 4 F	16000 0 H 8 F	20000 4 H 8 F	24000 0 H 12 F	28000 4 H 12 F	32000 0 H 16 F	36000 4 H 16 F	40000 0 H 20 F
03	1-1/2	38-3/8		6000 0 H 3 F	9000 3 H 3 F	12000 0 H 6 F	15000 3 H 6 F	18000 0 H 9 F	21000 3 H 9 F	24000 0 H 12 F	27000 3 H 12 F	30000 0 H 15 F
02	1	26-11/16	2000 2 H 0 F	4000 0 H 2 F	6000 2 H 2 F	8000 0 H 4 F	10000 2 H 5 F	12000 0 H 6 F	14000 2 H 6 F	16000 0 H 8 F	18000 2 H 8 F	20000 0 H 10 F
01	1/2	14-11/16		2000 0 H 1 F		4000 0 H 2 F		6000 0 H 3 F		8000 0 H 4 F		10000 0 H 5 F

HOUSING DEPTH CODE	HOUSING DEPTH (INCHES)	FILTER DEPTH (INCHES)
28	27 - 5/8"	2"
29	28 - 5/8"	4"


MODEL NUMBER EXAMPLE

02 VB 02 - 28 - 02



AVAILABLE FACTORY OPTIONS

- WEATHERPROOFING** - Housing shall be provided with a 16 GA aluminized steel pitched rain roof. All seams shall be sealed using a high viscosity, non-silicone, permanent sealant.
- DOUBLE SKIN INSULATION** - Housing shall be provided with 1" thick double wall insulation. Insulation shall be enclosed in 24 GA aluminized steel panels located on the interior of the access doors and exterior of the top and bottom panels. Insulation shall be 1.5 pound density.
- SUPPORT LEGS** - Housing shall be provided with 12 GA aluminized steel support legs. Maximum height of 6" from bottom of flange to floorline. Quantity of support legs are as follows:
02 - 04 Width Code: (2) Support Legs Each Side
05 - 07 Width Code: (3) Support Legs Each Side
08 - 10 Width Code: (4) Support Legs Each Side
- FLANGE ADAPTERS** - Housing shall be provided with 16 GA aluminized steel flat adapter flanges to match customer equipment and specifications. Flanges may be single (one side only) or double (both sides) per customer requirements.
- HANGER BRACKETS** - Housing shall be provided with 12 GA aluminized steel hanger brackets welded to the top panel. Location may be (1) pair of brackets on either the air-entering or air-leaving side or (2) pair of brackets, (1) located on each corner. Brackets are supplied with 5/8" diameter hole for hanger rod. Hanger brackets are for support of the housing only. Other duct connections or equipment must be supported independently.
- HIGH PRESSURE** - Housing shall be provided to meet operating static pressure of 10" W.G. positive or negative. Access doors are provided with full length piano hinges (doors will not lift off). Consult factory for other high pressure applications.
- STATIC TAPS** - Housing shall be provided with static pressure fittings for 1/4" metal tube connection. Taps may be located (1) before prefilter, (2) between prefilter and final filter and (3) after final filter.
- ALTERNATE MATERIAL OF CONSTRUCTION** - Housing shall be constructed of alternate materials at customer request:
- 304 or 316 Stainless Steel
- Epoxy Coating. Coating may be exterior only, interior only or exterior/interior.

 ONE SOURCE FOR AIR FILTRATION PRODUCTS P.O. Box 32578 Louisville, KY 40232 P: 502-969-2304 F: 502-961-0930	TOLERANCES UNLESS OTHERWISE SPECIFIED FRACTIONAL +0 / -1/8 DECIMAL - ANGLES -		DRAWING NAME V-BANK SIDE ACCESS FILTER HOUSING	
	CONTACT FACTORY TO VERIFY REVISION LEVEL		APPROVED BY <i>[Signature]</i> SPECIFICATION NO. MKT-B-00434 PAGE 2 OF 2 SCALE NONE DWG. SIZE A REVISION NEW REVISION DATE 07-20-04	
		ALL DIMENSIONS IN INCHES		CONFIDENTIAL - DO NOT COPY. THIS MATERIAL IS TRADE SECRET AND PROPRIETARY BEING EXCLUSIVELY OWNED BY AIRGUARD. THE EXPRESSION OF THE INFORMATION CONTAINED HEREIN IS PROTECTED UNDER FEDERAL COPYRIGHT LAWS AND ALL COPYING IS PROHIBITED AND MAY BE SUBJECT TO CRIMINAL PENALTIES.