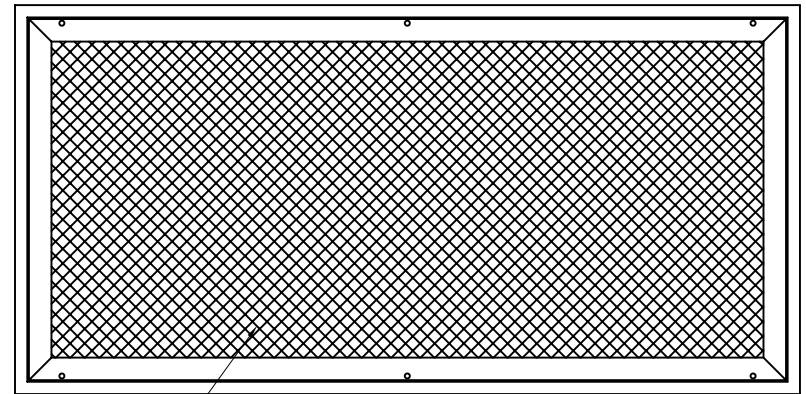
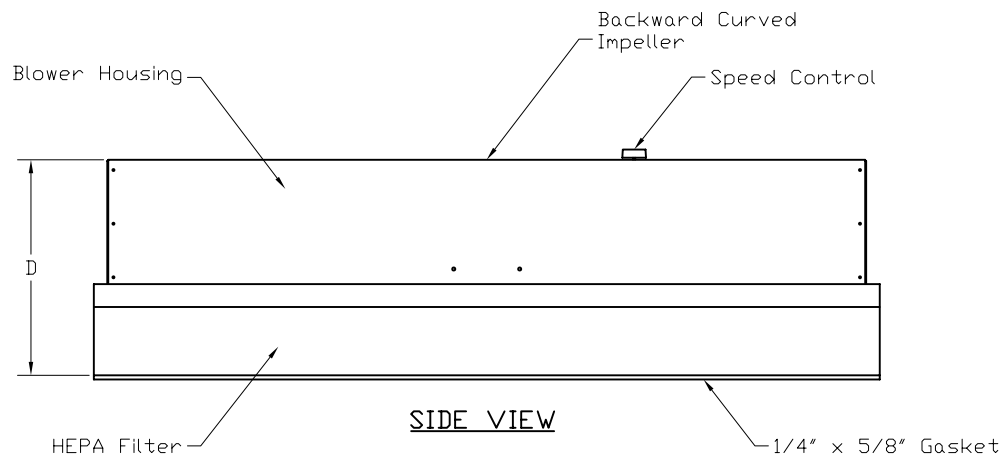


Inlet TOP VIEW



HEPA Filter with Expanded Metal Screen BOTTOM VIEW



SIDE VIEW

NOTES:

1. Blower housing is made of formed aluminum.
2. Filter is made with anodized extruded aluminum cell sides and white expanded metal screen.
3. Adjustable velocity: 70-120 FPM measured 6" from the filter face.
4. Efficiencies: 99.99% on 0.3 microns (HEPA)
99.9995% on 0.12 microns (ULPA)
5. Electrical Service: 115 volt / 1 phase
230 volt / 1 phase
277 volt / 1 phase
6. 6 ft. power cord (optional)
7. Inlet options: * 10" diameter inlet (no prefilter)
* Prefilter: 16x20x2 pleated filter
* Collar for ducted connection

Nominal Size (Inches)			Actual Size (Inches)			Rated Air Flow (CFM) @ 90 FPM
H	W	D	H	W	D	
24	24	14.625	23.625	23.625	14.625	230
24	36	13.125	23.625	35.625	13.125	370
23	47	13.125	23.00	47.00	13.125	490
24	48	13.125	23.125	47.125	13.125	495
24	48	13.125	23.25	47.25	13.125	500
24	48	13.125	23.375	47.375	13.125	505
24	48	13.125	23.50	47.50	13.125	510
24	48	13.125	23.625	47.625	13.125	515

For Filter Detail:
See Drawing D01-RD-060311

Micropleat Fan/Filter Module		
Top Mounted Speed Control - Aluminum Housing - Roomside Replaceable		
AIRGUARD <small>a CLARCOR company</small>		
P.O. Box 32578		
LOUISVILLE, KY 40232-2578		
PHONE: (502) 969-2304 * FAX: (502) 961-0930		
DATE	DRAWING NUMBER	REVISION
10-14-03	D01-RD-060487	B