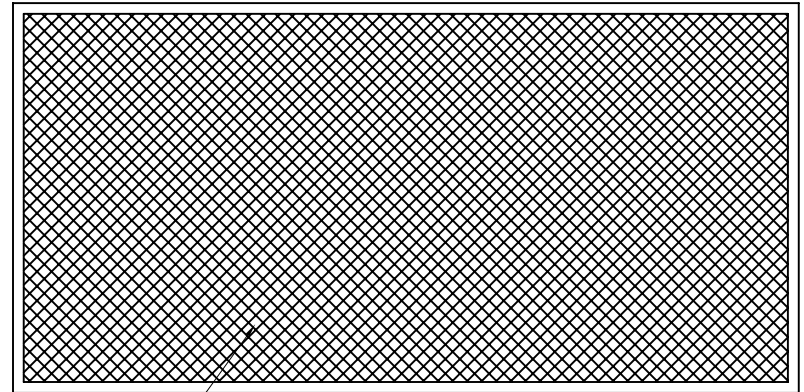
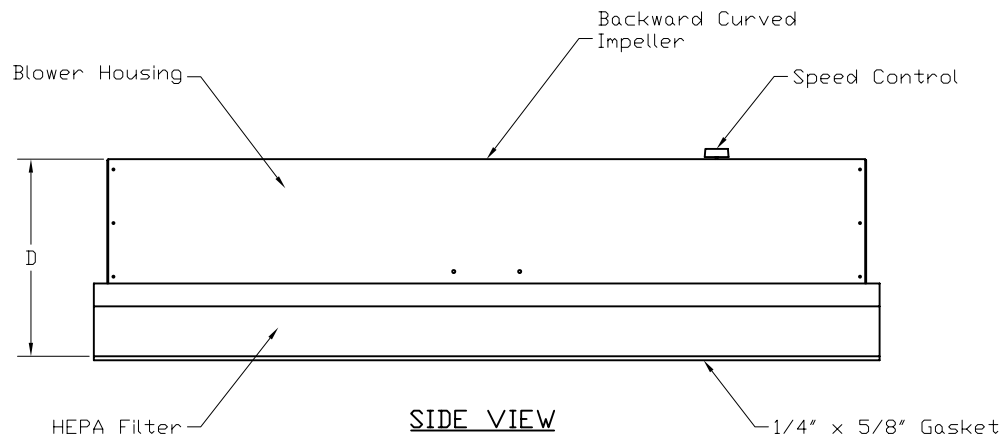


Inlet TOP VIEW



HEPA Filter with Expanded Metal Screen BOTTOM VIEW



SIDE VIEW

NOTES:

1. Blower housing is made of formed aluminum.
2. Filter is made with anodized extruded aluminum cell sides and white expanded metal screen.
3. Adjustable velocity: 70-120 FPM measured 6" from the filter face.
4. Efficiencies: 99.99% on 0.3 microns (HEPA)
99.9995% on 0.12 microns (ULPA)
5. Electrical Service: 115 volt / 1 phase
230 volt / 1 phase
277 volt / 1 phase
6. 6 ft. power cord (optional)
7. Inlet options: * 10" diameter inlet (no prefilter)
* Prefilter: 16x20x2 pleated filter
* Collar for ducted connection

Nominal Size (Inches)			Actual Size (Inches)			Rated Air Flow (CFM) @ 90 FPM
H	W	D	H	W	D	
24	24	13.50	23.625	23.625	13.50	310
24	36	12.00	23.625	35.625	12.00	480
23	47	12.00	23.00	47.00	12.00	620
24	48	12.00	23.125	47.125	12.00	625
24	48	12.00	23.25	47.25	12.00	630
24	48	12.00	23.375	47.375	12.00	635
24	48	12.00	23.50	47.50	12.00	640
24	48	12.00	23.625	47.625	12.00	645

For Filter Detail:
See Drawing D01-RD-060307

Micropleat Fan/Filter Module		
Top Mounted Speed Control - Aluminum Housing - Gasket Seal		
AIRGUARD <small>a CLARCOR company</small>		
P.O. Box 32578		
LOUISVILLE, KY 40232-2578		
PHONE: (502) 969-2304 * FAX: (502) 961-0930		
DATE	DRAWING NUMBER	REVISION
10-14-03	D01-RD-060486	D