


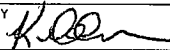
| Model Number | Nominal Size (Inches) W x H x D | Actual Size (Inches) W x H x D | Rated Air Flow (CFM) | Initial Resistance (IN W.G.) | Media Area (Square Feet) |
|--------------|---------------------------------|--------------------------------|----------------------|------------------------------|--------------------------|
| BPF-117 | 10 x 20 x 1 | 9-1/2 x 19-1/2 x 3/4 | 425 | .21 | 3.2 |
| BPF-120 | 12 x 20 x 1 | 11-1/2 x 19-1/2 x 3/4 | 500 | .21 | 3.5 |
| BPF-110 | 12 x 24 x 1 | 11-3/8 x 23-3/8 x 3/4 | 600 | .21 | 4.2 |
| BPF-139 | 14 x 20 x 1 | 13-1/2 x 19-1/2 x 3/4 | 590 | .21 | 4.3 |
| BPF-141 | 14 x 25 x 1 | 13-1/2 x 24-1/2 x 3/4 | 730 | .21 | 5.4 |
| BPF-145 | 15 x 20 x 1 | 14-1/2 x 19-1/2 x 3/4 | 630 | .21 | 4.6 |
| BPF-101 | 16 x 20 x 1 | 15-1/2 x 19-1/2 x 3/4 | 670 | .21 | 4.8 |
| BPF-102 | 16 x 25 x 1 | 15-1/2 x 24-1/2 x 3/4 | 840 | .21 | 6.0 |
| BPF-112 | 18 x 24 x 1 | 17-3/8 x 23-3/8 x 3/4 | 900 | .21 | 6.7 |
| BPF-103 | 20 x 20 x 1 | 19-1/2 x 19-1/2 x 3/4 | 840 | .21 | 6.2 |
| BPF-104 | 20 x 25 x 1 | 19-1/2 x 24-1/2 x 3/4 | 1050 | .21 | 7.7 |
| BPF-105 | 24 x 24 x 1 | 23-3/8 x 23-3/8 x 3/4 | 1200 | .21 | 8.6 |
| BPF-125 | 25 x 25 x 1 | 24-1/2 x 24-1/2 x 3/4 | 1310 | .21 | 9.7 |

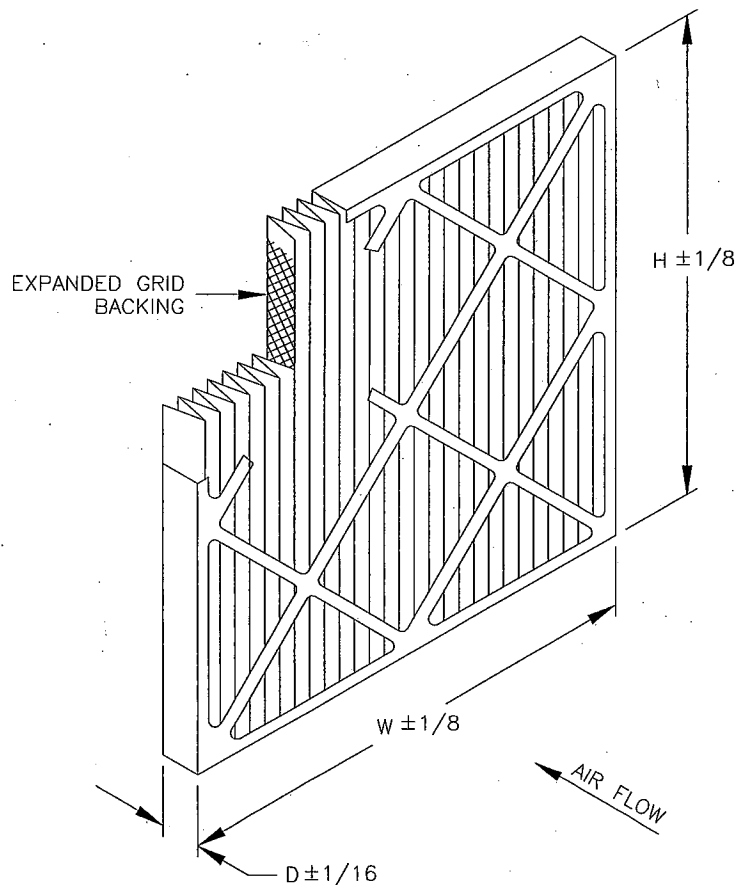
STANDARD CONSTRUCTION

1. Off-White Cotton / Polyester High Loft Media with EPA Registered Antimicrobial
2. 14.0 Pleats Per Foot
3. Expanded Metal Pleat Supports
4. Moisture Resistant Beverage Board Frame
5. Double Wall Frame

NOTES

1. Average Efficiency: 25-30% ASHRAE 52.1-1992
MERV 7 ASHRAE 52.2-1999
2. Final Resistance: 1.0" W.G.
3. Rated Velocity: 300 FPM
4. Class 2 Filter Per U.L. Standard 900
5. Maximum Operating Temperature: 225 deg. F

| | | | | | |
|--|---|--|--|----------------------------------|---------------------------|
|  ONE SOURCE FOR AIR FILTRATION PRODUCTS P.O. Box 32578 Louisville, KY 40232 P: 502-969-2304 F: 502-961-0930 | TOLERANCES UNLESS OTHERWISE SPECIFIED | | DRAWING NAME BIO-PURE PLEAT (1" DEPTH) | | |
| | FRACTIONAL DECIMAL ANGLES | APPROVED BY  | | SPECIFICATION NO. MKT-B-00208 | PAGE 1 OF 1 |
| CONTACT FACTORY TO VERIFY REVISION LEVEL | | SCALE NONE | DVG. SIZE A | REVISION C | REVISION DATE 10-04-06 |
| ALL DIMENSIONS IN INCHES | | | | | |
| <small>CONFIDENTIAL - DO NOT COPY. THIS MATERIAL IS TRADE SECRET AND PROPRIETARY BEING EXCLUSIVELY OWNED BY AIRGUARD. THE EXPRESSION OF THE INFORMATION CONTAINED HEREIN IS PROTECTED UNDER FEDERAL COPYRIGHT LAWS AND ALL COPYING IS PROHIBITED AND MAY BE SUBJECT TO CRIMINAL PENALTIES.</small> | | | | | |



| Model Number | Nominal Size (Inches) W x H x D | Actual Size (Inches) W x H x D | Rated Air Flow (CFM) | Initial Resistance (IN W.G.) | Media Area (Square Feet) |
|--------------|---------------------------------|--------------------------------|----------------------|------------------------------|--------------------------|
| BPF-217 | 10 x 20 x 2 | 9-1/2 x 19-1/2 x 1-3/4 | 700 | .30 | 5.7 |
| BPF-220 | 12 x 20 x 2 | 11-1/2 x 19-1/2 x 1-3/4 | 840 | .30 | 7.3 |
| BPF-210 | 12 x 24 x 2 | 11-3/8 x 23-3/8 x 1-3/4 | 1000 | .30 | 8.6 |
| BPF-239 | 14 x 20 x 2 | 13-1/2 x 19-1/2 x 1-3/4 | 980 | .30 | 8.8 |
| BPF-241 | 14 x 25 x 2 | 13-1/2 x 24-1/2 x 1-3/4 | 1220 | .30 | 11.0 |
| BPF-245 | 15 x 20 x 2 | 14-1/2 x 19-1/2 x 1-3/4 | 1050 | .30 | 9.3 |
| BPF-201 | 16 x 20 x 2 | 15-1/2 x 19-1/2 x 1-3/4 | 1120 | .30 | 9.9 |
| BPF-216 | 16 x 24 x 2 | 15-3/8 x 23-3/8 x 1-3/4 | 1340 | .30 | 11.7 |
| BPF-202 | 16 x 25 x 2 | 15-1/2 x 24-1/2 x 1-3/4 | 1400 | .30 | 12.3 |
| BPF-280 | 18 x 20 x 2 | 17-1/2 x 19-1/2 x 1-3/4 | 1250 | .30 | 10.9 |
| BPF-212 | 18 x 24 x 2 | 17-3/8 x 23-3/8 x 1-3/4 | 1500 | .30 | 13.0 |
| BPF-285 | 18 x 25 x 2 | 17-1/2 x 24-1/2 x 1-3/4 | 1570 | .30 | 13.6 |
| BPF-203 | 20 x 20 x 2 | 19-1/2 x 19-1/2 x 1-3/4 | 1400 | .30 | 11.9 |
| BPF-211 | 20 x 24 x 2 | 19-3/8 x 23-3/8 x 1-3/4 | 1670 | .30 | 14.2 |
| BPF-204 | 20 x 25 x 2 | 19-1/2 x 24-1/2 x 1-3/4 | 1750 | .30 | 14.9 |
| BPF-205 | 24 x 24 x 2 | 23-3/8 x 23-3/8 x 1-3/4 | 2000 | .30 | 17.6 |
| BPF-225 | 25 x 25 x 2 | 24-1/2 x 24-1/2 x 1-3/4 | 2170 | .30 | 19.4 |

STANDARD CONSTRUCTION

1. Off-White Cotton / Polyester High Loft Media with EPA Registered Antimicrobial
2. 14.3 Pleats Per Foot
3. Expanded Metal Pleat Supports
4. Moisture Resistant Beverage Board Frame
5. Double Wall Frame

NOTES

1. Average Efficiency: 25-30% ASHRAE 52.1-1992
MERV 7 ASHRAE 52.2-1999
2. Final Resistance: 1.0" W.G.
3. Rated Velocity: 500 FPM
4. Class 2 Filter Per U.L. Standard 900
5. Maximum Operating Temperature: 225 deg. F

AIRGUARD ONE SOURCE FOR AIR FILTRATION PRODUCTS

P.O. Box 32578
Louisville, KY 40232
P: 502-969-2304
F: 502-961-0930

CONTACT FACTORY TO VERIFY REVISION LEVEL

TOLERANCES UNLESS OTHERWISE SPECIFIED

FRACTIONAL
DECIMAL
ANGLES

DRAWING NAME
BIO-PURE PLEAT (2" DEPTH)

APPROVED BY *KEW*

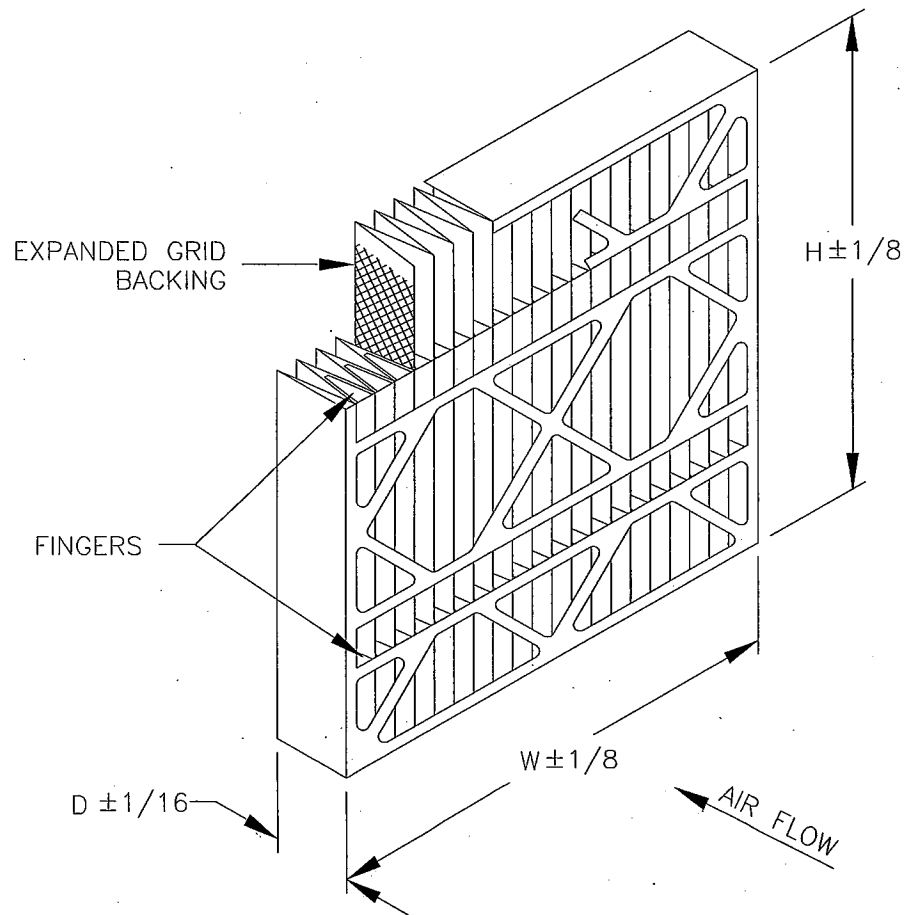
SPECIFICATION NO. MKT-B-00209

SCALE NONE DWG. SIZE A REVISION C REVISION DATE 10-04-06

PAGE 1 OF 1

CONFIDENTIAL - DO NOT COPY. THIS MATERIAL IS TRADE SECRET AND PROPRIETARY BEING EXCLUSIVELY OWNED BY AIRGUARD. THE EXPRESSION OF THE INFORMATION CONTAINED HEREIN IS PROTECTED UNDER FEDERAL COPYRIGHT LAWS AND ALL COPYING IS PROHIBITED AND MAY BE SUBJECT TO CRIMINAL PENALTIES.

ALL DIMENSIONS IN INCHES



| Model Number | Nominal Size (Inches) W x H x D | Actual Size (Inches) W x H x D | Rated Air Flow (CFM) | Initial Resistance (IN W.G.) | Media Area (Square Feet) |
|--------------|---------------------------------|--------------------------------|----------------------|------------------------------|--------------------------|
| BPF-410 | 12 x 24 x 4 | 11-3/8 x 23-3/8 x 3-3/4 | 1000 | .27 | 12.4 |
| BPF-401 | 16 x 20 x 4 | 15-1/2 x 19-1/2 x 3-3/4 | 1120 | .27 | 14.6 |
| BPF-402 | 16 x 25 x 4 | 15-1/2 x 24-1/2 x 3-3/4 | 1400 | .27 | 18.3 |
| BPF-412 | 18 x 24 x 4 | 17-1/2 x 23-1/2 x 3-3/4 | 1500 | .27 | 19.9 |
| BPF-403 | 20 x 20 x 4 | 19-1/2 x 19-1/2 x 3-3/4 | 1400 | .27 | 18.8 |
| BPF-411 | 20 x 24 x 4 | 19-3/8 x 23-3/8 x 3-3/4 | 1670 | .27 | 22.4 |
| BPF-404 | 20 x 25 x 4 | 19-1/2 x 24-1/2 x 3-3/4 | 1750 | .27 | 23.5 |
| BPF-405 | 24 x 24 x 4 | 23-3/8 x 23-3/8 x 3-3/4 | 2000 | .27 | 26.1 |

STANDARD CONSTRUCTION

1. Off White Cotton / Polyester High Loft Media with EPA Registered Antimicrobial
2. 10.8 Pleats Per Foot
3. Expanded Metal Pleat Supports
4. Moisture Resistant Beverage Board Frame
5. Double Wall Frame
6. (2) Rows of Fingers on Air Entering Side

NOTES

1. Average Efficiency: 25-30% ASHRAE 52.1-1992
MERV 7 ASHRAE 52.2-1999
2. Final Resistance: 1.0" W.G.
3. Rated Velocity: 500 FPM
4. Class 2 Filter Per U.L. Standard 900
5. Maximum Operating Temperature: 225 deg. F

AIRGUARD ONE SOURCE FOR AIR FILTRATION PRODUCTS
 P.O. Box 32578
 Louisville, KY 40232
 P: 502-969-2304
 F: 502-961-0930

CONTACT FACTORY TO VERIFY REVISION LEVEL

TOLERANCES UNLESS OTHERWISE SPECIFIED

FRACTIONAL
 DECIMAL
 ANGLES

ALL DIMENSIONS IN INCHES

DRAWING NAME: **BIO-PURE PLEAT (4" DEPTH)**

APPROVED BY: *Korn* SPECIFICATION NO. MKT-B-00210 PAGE 1 OF 1

SCALE: NONE DWG. SIZE: A REVISION: B REVISION DATE: 10-04-06

CONFIDENTIAL - DO NOT COPY. THIS MATERIAL IS TRADE SECRET AND PROPRIETARY BEING EXCLUSIVELY OWNED BY AIRGUARD. THE EXPRESSION OF THE INFORMATION CONTAINED HEREIN IS PROTECTED UNDER FEDERAL COPYRIGHT LAWS AND ALL COPYING IS PROHIBITED AND MAY BE SUBJECT TO CRIMINAL PENALTIES.