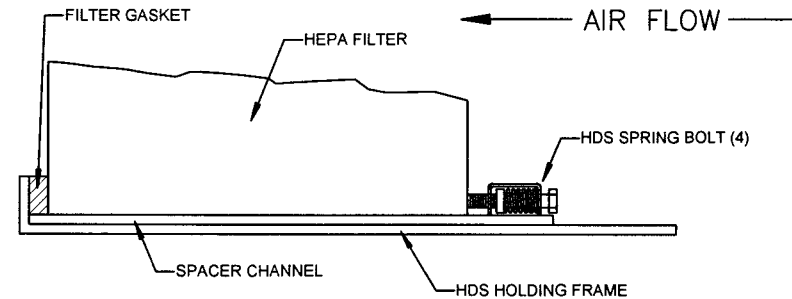



Model Number	Actual Size (Inches) H x W x D	HEPA Filter Size (Inches) H x W x D
HDS091224	12 x 24 x 9-3/8	11-3/8 x 23-3/8 x 5-7/8
HDS091325	12-7/8 x 24-7/8 x 9-3/8	12 x 24 x 5-7/8
HDS092424	24 x 24 x 9-3/8	23-3/8 x 23-3/8 x 5-7/8
HDS092525	24-7/8 x 24-7/8 x 9-3/8	24 x 24 x 5-7/8
HDS092531	24-7/8 x 30-7/8 x 9-3/8	24 x 30 x 5-7/8
HDS151224	12 x 24 x 15	11-3/8 x 23-3/8 x 11-1/2
HDS151325	12-7/8 x 24-7/8 x 15	12 x 24 x 11-1/2
HDS152424	24 x 24 x 15	23-3/8 x 23-3/8 x 11-1/2
HDS152525	24-7/8 x 24-7/8 x 15	24 x 24 x 11-1/2
HDS152531	24-7/8 x 30-7/8 x 15	24 x 30 x 11-1/2



NOTES:

1. CONSTRUCTION 16 GA ALUMINIZED STEEL
2. SOLID WELD ON ALL FRAME JOINTS
3. MOUNTING HOLES 7/32" DIA. TYPICAL
MOUNTING AND ASSEMBLY HARDWARE FIELD SUPPLIED
4. FRAMES SUPPLIED WITH FOUR (4) SPRING LOCK BOLTS


ONE SOURCE FOR AIR FILTRATION PRODUCTS
 P.O. Box 32578
 Louisville, KY 40232
 P: 502-969-2304
 F: 502-961-0930

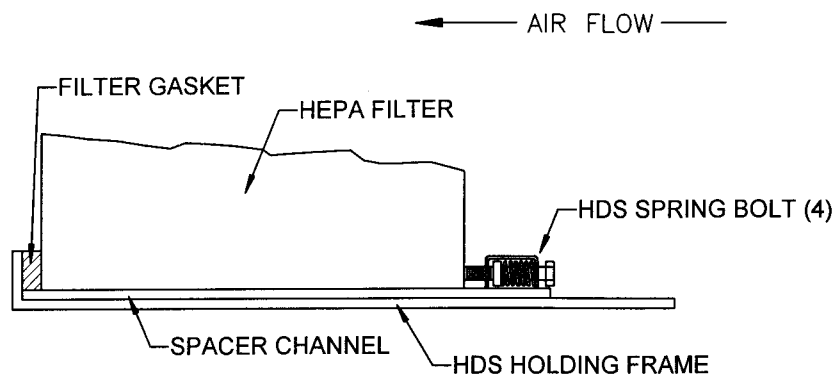
CONTACT FACTORY TO VERIFY REVISION LEVEL

TOLERANCES UNLESS OTHERWISE SPECIFIED

FRACTIONAL
DECIMAL
ANGLES

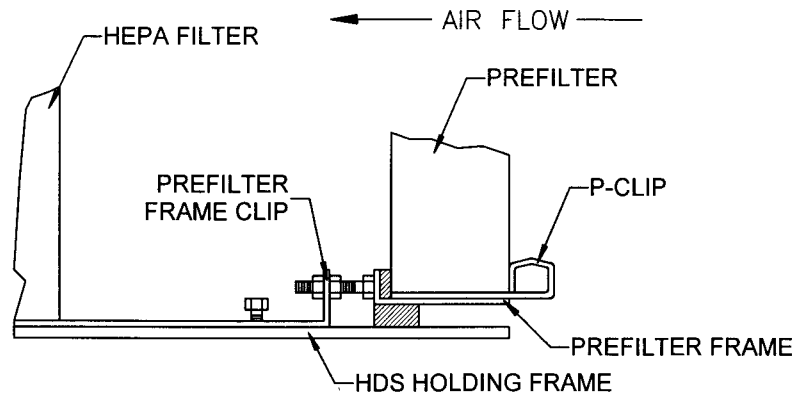
ALL DIMENSIONS IN INCHES

DRAWING NAME TYPE HDS HEPA HOLDING FRAME			
APPROVED BY <i>K. [Signature]</i>	SPECIFICATION NO. MKT-B-00192	PAGE 1 OF 1	
SCALE NONE	DWG. SIZE A	REVISION NEW	REVISION DATE 01-11-01
<small>CONFIDENTIAL - DO NOT COPY. THIS MATERIAL IS TRADE SECRET AND PROPRIETARY BEING EXCLUSIVELY OWNED BY AIRGUARD. THE EXPRESSION OF THE INFORMATION CONTAINED HEREIN IS PROTECTED UNDER FEDERAL COPYRIGHT LAWS AND ALL COPYING IS PROHIBITED AND MAY BE SUBJECT TO CRIMINAL PENALTIES.</small>			



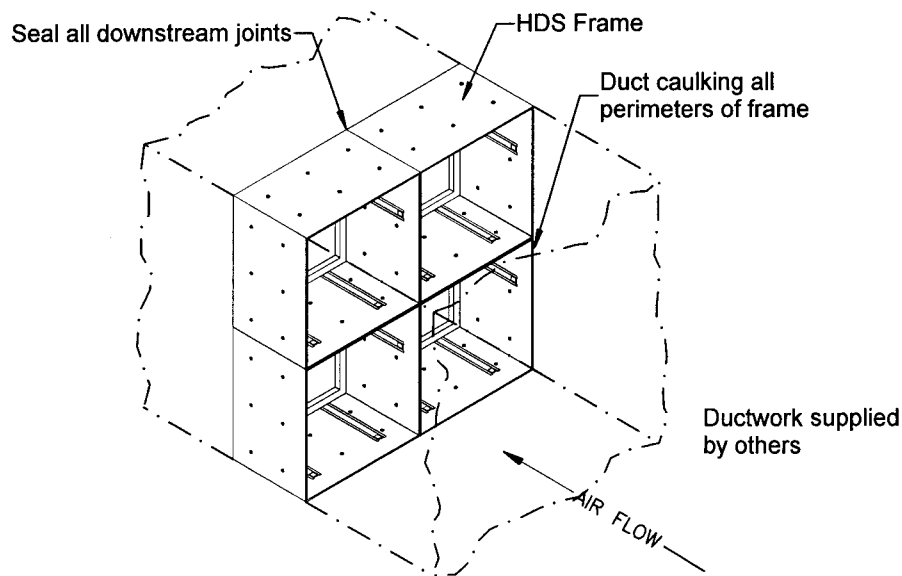
HEPA INSTALLATION

1. HEPA filter is sealed by tightening of HDS Spring Bolts (4)
2. Bolts are placed in spacer channels with a 12" gauge base (2 at top, 2 at bottom)




PREFILTER FRAME INSTALLATION (OPTIONAL)

1. Installation or removal of the prefilter frame is accomplished by removing the downstream hex nut on the frame clip
2. The frame clip (2) must be completely removed for HEPA installation or removal



FRAME INSTALLATION

1. Holes provided for riveting of frames into filter bank
Use #10-24 Machine Screws /w Philips Head, 3/8" length with Nut and Lock Washers
2. All perimeters of the frame and all downstream joints should be caulked to prevent air bypass
3. Installation should be level and plumb to maintain frame squareness and integrity

	ONE SOURCE FOR AIR FILTRATION PRODUCTS	P.O. Box 32578 Louisville, KY 40232 P: 502-969-2304 F: 502-961-0930
	CONTACT FACTORY TO VERIFY REVISION LEVEL	

**TOLERANCES
UNLESS OTHERWISE SPECIFIED**

FRACTIONAL
DECIMAL
ANGLES

ALL DIMENSIONS IN INCHES

DRAWING NAME			
TYPE HDS FRAME INSTALLATION			
APPROVED BY	SPECIFICATION NO.	PAGE	
<i>K. Quinn</i>	MKT-B-00193	1 OF 1	
SCALE	DWG. SIZE	REVISION	REVISION DATE
NONE	A	A	02-11-02
<small>CONFIDENTIAL - DO NOT COPY. THIS MATERIAL IS TRADE SECRET AND PROPRIETARY BEING EXCLUSIVELY OWNED BY AIRGUARD. THE EXPRESSION OF THE INFORMATION CONTAINED HEREIN IS PROTECTED UNDER FEDERAL COPYRIGHT LAWS AND ALL COPYING IS PROHIBITED AND MAY BE SUBJECT TO CRIMINAL PENALTIES.</small>			