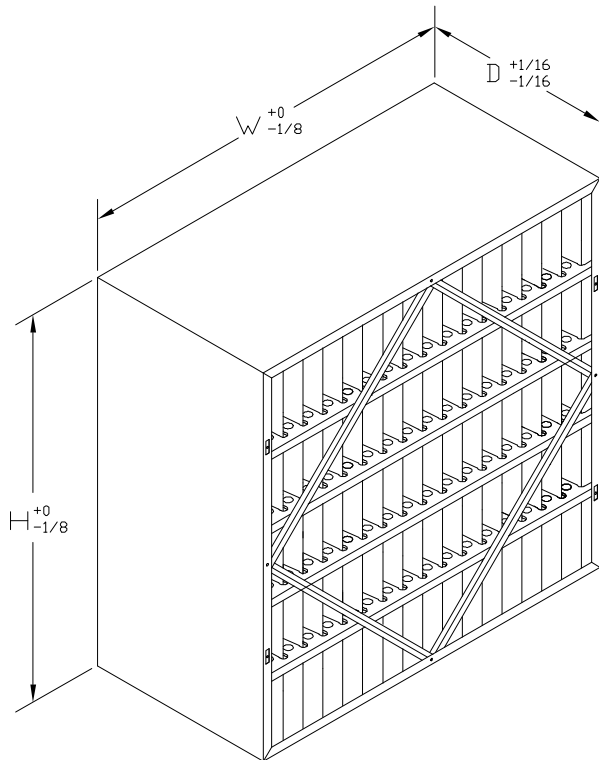


Model Number *	Nominal Size (Inches) H x W x D	Actual Size (Inches) H x W x D	Rated Air Flow (CFM)	Initial Resistance (IN W.G.)				Media Area (Square Feet)
				90-95%	80-85%	60-65%	50-55%	
RS-_13	20 x 20 x 12	19-3/8 x 19-3/8 x 11-1/2	1400	.51	.42	.23	.18	39
RS-_03	24 x 12 x 12	24-3/8 x 11-3/8 x 11-1/2	1000	.51	.42	.23	.18	28
RS-_15	24 x 20 x 12	23-3/8 x 19-3/8 x 11-1/2	1650	.51	.42	.23	.18	47
RS-_04	24 x 24 x 12	23-3/8 x 23-3/8 x 11-1/2	2000	.51	.42	.23	.18	58
RS-_14	20 x 20 x 6	19-3/8 x 19-3/8 x 5-7/8	700	.51	.42	.23	.18	20
RS-_01	24 x 12 x 6	23-3/8 x 11-3/8 x 5-7/8	500	.51	.42	.23	.18	15
RS-_02	24 x 24 x 6	23-3/8 x 23-3/8 x 5-7/8	1000	.51	.42	.23	.18	30

* Insert Filter Efficiency Code (9=90-95%, 8=80-85%, 6=60-65%, 5=50-55%). Example: RS-904 is 90-95%, 24x24x12 Nominal Size.



STANDARD CONSTRUCTION

1. High Efficiency Synthetic Filter Media
2. Expanded Metal Pleat Supports
3. Adhesive Seal on All Four Media Pack Sides
4. 24 Gauge Galvanized Steel Cell Sides
5. Plastic Fingers Maintain Pleat Spacing
6. Diagonal Support Braces on Air Entering and Air Leaving Sides for Additional Rigidity
7. (4) Retainer Holes for Spring Latches, Both Sides

NOTES

1. Average Efficiency, MERV
 - 90-95% ASHRAE 52.1-1992, MERV 14 ASHRAE 52.2-2007
 - 80-85% ASHRAE 52.1-1992, MERV 13 ASHRAE 52.2-2007
 - 60-65% ASHRAE 52.1-1992, MERV 11 ASHRAE 52.2-2007
 - 50-55% ASHRAE 52.1-1992, MERV 10 ASHRAE 52.2-2007
2. Final Resistance: 1.5" W.G.
3. Rated Velocity 12" Deep - 500 FPM
4. Rated Velocity 6" Deep - 250 FPM
5. Class 2 Filter Per U.L. Standard 900
5. Maximum Operating Temperature: 180 deg. F
7. Optional Gasket Available
 - U - Upstream Gasket (Ex: RS-904-U)
 - D - Downstream Gasket
 - UD - Both Sides
8. Special Sizes Not Available



100 River Ridge Circle
Jeffersonville, IN 47130
P: 866-247-4827
F: 502-961-0930
www.airguard.com

CONTACT FACTORY TO
VERIFY REVISION LEVEL

TOLERANCES UNLESS OTHERWISE SPECIFIED

FRACTIONAL -
DECIMAL -
ANGLES -

ALL DIMENSIONS IN INCHES

DRAWING NAME

VARI-PAK MODEL S

APPROVED BY

K. Quinn

SPECIFICATION NO.

MKT-B-00130

PAGE

1 OF 1

SCALE

NONE

DWG. SIZE

A

REVISION

F

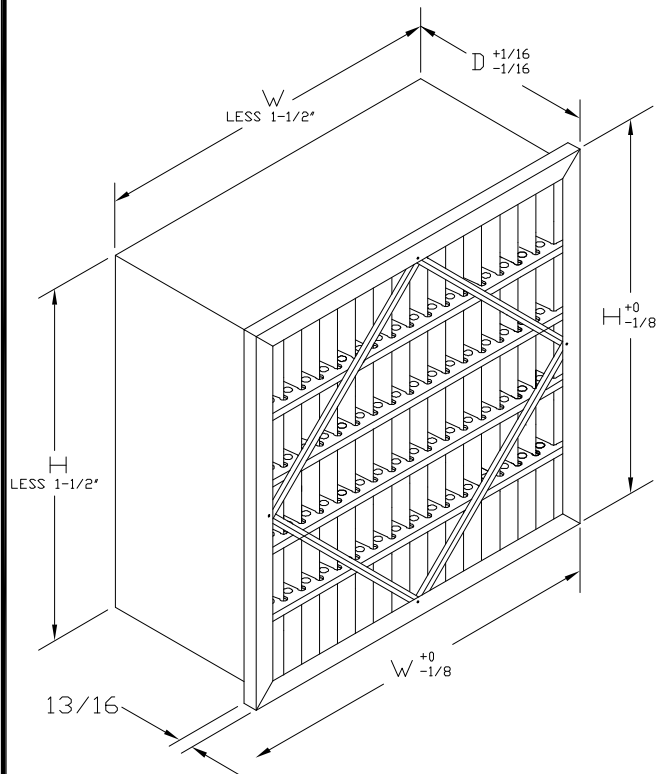
REVISION DATE

04-23-10

CONFIDENTIAL - DO NOT COPY. THIS MATERIAL IS TRADE SECRET AND PROPRIETARY BEING EXCLUSIVELY OWNED BY CLC AIR. THE EXPRESSION OF THE INFORMATION CONTAINED HEREIN IS PROTECTED UNDER FEDERAL COPYRIGHT LAWS AND ALL COPYING IS PROHIBITED AND MAY BE SUBJECT TO CRIMINAL PENALTIES.

Model Number *	Nominal Size (Inches) H x W x D	Actual Size (Inches) H x W x D	Rated Air Flow (CFM)	Initial Resistance (IN W.G.)				Media Area (Square Feet)
				90-95%	80-85%	60-65%	50-55%	
RS-_13-PH	20 x 20 x 12	19-3/8 x 19-3/8 x 11-1/2	1400	.59	.50	.29	.26	32
RS-_03-PH	24 x 12 x 12	24-3/8 x 11-3/8 x 11-1/2	1000	.59	.50	.29	.26	23
RS-_15-PH	24 x 20 x 12	23-3/8 x 19-3/8 x 11-1/2	1650	.59	.50	.29	.26	40
RS-_04-PH	24 x 24 x 12	23-3/8 x 23-3/8 x 11-1/2	2000	.59	.50	.29	.26	47
RS-_14-PH	20 x 20 x 6	19-3/8 x 19-3/8 x 5-7/8	700	.59	.50	.29	.26	17
RS-_01-PH	24 x 12 x 6	23-3/8 x 11-3/8 x 5-7/8	500	.59	.50	.29	.26	13
RS-_02-PH	24 x 24 x 6	23-3/8 x 23-3/8 x 5-7/8	1000	.59	.50	.29	.26	27

* Insert Filter Efficiency (9=90-95%, 8=80-85%, 6=60-65%, 5=50-55%). Example: RS-904-PH



STANDARD CONSTRUCTION

1. High Efficiency Synthetic Filter Media
2. Expanded Metal Pleat Supports
3. Adhesive Seal on All Four Media Pack Sides
4. 24 Gauge Galvanized Steel Cell Sides
5. Plastic Fingers Maintain Pleat Spacing
6. Diagonal Support Braces on Air Entering and Air Leaving Sides for Additional Rigidity
7. 13/16" Header on Air Entering Side Standard
8. 1-1/8" 'C' Style Header Optional
(Add 'CH' Suffix on the Model Number)

NOTES

1. Average Efficiency, MERV
 - 90-95% ASHRAE 52.1-1992, MERV 14 ASHRAE 52.2-2007
 - 80-85% ASHRAE 52.1-1992, MERV 13 ASHRAE 52.2-2007
 - 60-65% ASHRAE 52.1-1992, MERV 11 ASHRAE 52.2-2007
 - 50-55% ASHRAE 52.1-1992, MERV 10 ASHRAE 52.2-2007
2. Final Resistance: 1.5" W.G.
3. Rated Velocity 12" Deep - 500 FPM
4. Rated Velocity 6" Deep - 250 FPM
5. Class 2 Filter Per U.L. Standard 900
6. Maximum Operating Temperature: 180 deg. F
7. Optional Gasket Available
 - U - Upstream Gasket (Ex: RS-904-PH-U)
 - D - Downstream Gasket
 - UD- Both Sides
 - SA - Side Access
8. Special Sizes Not Available



100 River Ridge Circle
Jeffersonville, IN 47130
P: 866-247-4827
F: 502-961-0930
© www.airguard.com

CONTACT FACTORY TO
VERIFY REVISION LEVEL

TOLERANCES UNLESS OTHERWISE SPECIFIED

FRACTIONAL -
DECIMAL -
ANGLES -

ALL DIMENSIONS IN INCHES

DRAWING NAME

VARI-PAK S/PH

APPROVED BY

K. Quinn

SPECIFICATION NO.

MKT-B-00132

PAGE

1 OF 1

SCALE

NONE

DWG. SIZE

A

REVISION

F

REVISION DATE

04-23-10

CONFIDENTIAL - DO NOT COPY. THIS MATERIAL IS TRADE SECRET AND PROPRIETARY BEING EXCLUSIVELY OWNED BY CLC AIR. THE EXPRESSION OF THE INFORMATION CONTAINED HEREIN IS PROTECTED UNDER FEDERAL COPYRIGHT LAWS AND ALL COPYING IS PROHIBITED AND MAY BE SUBJECT TO CRIMINAL PENALTIES.