

Model Number*	Nominal Size (Inches) W x H x D	Actual Size (Inches) W x H x D	Rated Air Flow (CFM)	Initial Resistance (IN W.G.)			Media Area (Square Feet)
				90-95%	80-85%	60-65%	
VMA_04	24 x 24 x 12	23-3/8 x 23-3/8 x 11-1/2	2000	.65	.55	.40	142
VMA_12	20 x 25 x 12	19-3/8 x 24-3/8 x 11-1/2	1750	.65	.55	.40	124
VMA_15	20 x 24 x 12	19-3/8 x 23-3/8 x 11-1/2	1650	.65	.55	.40	119
VMA_13	20 x 20 x 12	19-3/8 x 19-3/8 x 11-1/2	1400	.65	.55	.40	99
VMA_11	18 x 24 x 12	17-3/8 x 23-3/8 x 11-1/2	1500	.65	.55	.40	106
VMA_10	16 x 25 x 12	15-3/8 x 24-3/8 x 11-1/2	1400	.65	.55	.40	97
VMA_09	16 x 20 x 12	15-3/8 x 19-3/8 x 11-1/2	1100	.65	.55	.40	77
VMA_03	12 x 24 x 12	11-3/8 x 23-3/8 x 11-1/2	1000	.65	.55	.40	70
VMA_02	24 x 24 x 6	23-3/8 x 23-3/8 x 5-7/8	1000	.38	.35	.20	64
VMA_08	20 x 25 x 6	19-3/8 x 24-3/8 x 5-7/8	875	.38	.35	.20	56
VMA_16	20 x 24 x 6	19-3/8 x 23-3/8 x 5-7/8	825	.38	.35	.20	54
VMA_14	20 x 20 x 6	19-3/8 x 19-3/8 x 5-7/8	700	.38	.35	.20	45
VMA_07	18 x 24 x 6	17-3/8 x 23-3/8 x 5-7/8	750	.38	.35	.20	48
VMA_06	16 x 25 x 6	15-3/8 x 24-3/8 x 5-7/8	700	.38	.35	.20	44
VMA_05	16 x 20 x 6	15-3/8 x 19-3/8 x 5-7/8	550	.38	.35	.20	35
VMA_01	12 x 24 x 6	11-3/8 x 23-3/8 x 5-7/8	500	.38	.35	.20	31


* - Insert Filter Efficiency Code (9 = 90-95%, 8 = 80-85%, 6 = 60-65%). Example: VMA-904 is 90-95%, 24x24x12 Nominal Size

STANDARD CONSTRUCTION

1. High Efficiency, Microglass Paper Media
2. Corrugated Aluminum Separators With Rolled Edges
3. High Loft Microglass Wrap Around Media Pack
4. 24 Gauge Galvanized Steel Cell Sides
5. Expanded Metal Grid on Air Leaving Side
6. (4) Retainer Holes for Spring Latches

NOTES

1. Average Efficiency, MERV (52.2)
90-95% ASHRAE 52.1-1992, MERV 14 ASHRAE 52.2-1999
80-85% ASHRAE 52.1-1992, MERV 13 ASHRAE 52.2-1999
60-65% ASHRAE 52.1-1992, MERV 11 ASHRAE 52.2-1999
2. Final Resistance: 1.5" W.G.
3. Rated Velocity 12" Deep - 500 FPM
4. Rated Velocity 6" Deep - 250 FPM
5. Class 1 Filter Per U.L. Standard 900
6. Maximum Operating Temperature: 350 deg. F
7. Optional Gasket Available
U - Upstream Gasket (Ex: VMA-904-U)
D - Downstream Gasket
UD- Both Sides
8. Reverse Pleat Orientation Available
Add "-R" to Model Number (Ex: VMA-904-R)
9. Special Sizes Available


ONE SOURCE
 FOR
AIR FILTRATION
 PRODUCTS
 P.O. Box 32578
 Louisville, KY 40232
 P: 502-969-2304
 F: 502-961-0930

CONTACT FACTORY TO
VERIFY REVISION LEVEL

TOLERANCES UNLESS OTHERWISE SPECIFIED

FRACTIONAL -
 DECIMAL -
 ANGLES -

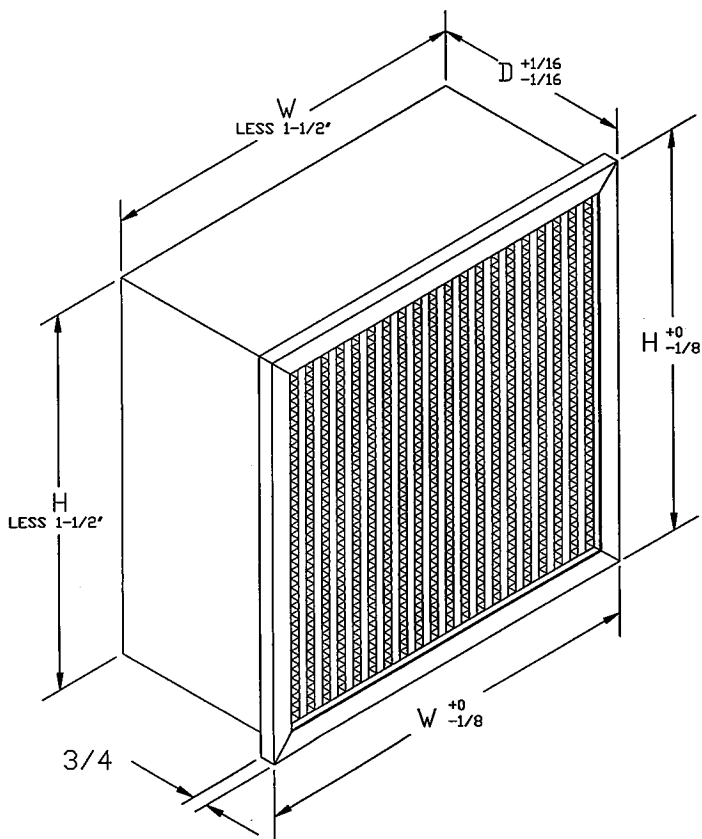
ALL DIMENSIONS IN INCHES

DRAWING NAME

VARIFLOW VMA (METAL BOX STYLE)

APPROVED BY <i>Redman</i>	SPECIFICATION NO. MKT-B-00135	PAGE 1 OF 1
SCALE NONE	DWG. SIZE A	REVISION C
		REVISION DATE 01-11-05

CONFIDENTIAL - DO NOT COPY. THIS MATERIAL IS TRADE SECRET AND PROPRIETARY BEING EXCLUSIVELY OWNED BY AIRGUARD. THE EXPRESSION OF THE INFORMATION CONTAINED HEREIN IS PROTECTED UNDER FEDERAL COPYRIGHT LAWS AND ALL COPYING IS PROHIBITED AND MAY BE SUBJECT TO CRIMINAL PENALTIES.



Model Number*	Nominal Size (Inches) W x H x D	Actual Size (Inches) W x H x D	Rated Air Flow (CFM)	Initial Resistance (IN W.G.)			Media Area (Square Feet)
				90-95%	80-85%	60-65%	
VMB_04	24 x 24 x 12	23-3/8 x 23-3/8 x 11-1/2	2000	.65	.55	.40	124
VMB_12	20 x 25 x 12	19-3/8 x 24-3/8 x 11-1/2	1750	.65	.55	.40	106
VMB_15	20 x 24 x 12	19-3/8 x 23-3/8 x 11-1/2	1650	.65	.55	.40	102
VMB_13	20 x 20 x 12	19-3/8 x 19-3/8 x 11-1/2	1400	.65	.55	.40	83
VMB_11	18 x 24 x 12	17-3/8 x 23-3/8 x 11-1/2	1500	.65	.55	.40	89
VMB_10	16 x 25 x 12	15-3/8 x 24-3/8 x 11-1/2	1400	.65	.55	.40	81
VMB_09	16 x 20 x 12	15-3/8 x 19-3/8 x 11-1/2	1100	.65	.55	.40	63
VMB_03	12 x 24 x 12	11-3/8 x 23-3/8 x 11-1/2	1000	.65	.55	.40	56
VMB_02	24 x 24 x 6	23-3/8 x 23-3/8 x 5-7/8	1000	.38	.35	.20	56
VMB_08	20 x 25 x 6	19-3/8 x 24-3/8 x 5-7/8	875	.38	.35	.20	48
VMB_16	20 x 24 x 6	19-3/8 x 23-3/8 x 5-7/8	825	.38	.35	.20	46
VMB_14	20 x 20 x 6	19-3/8 x 19-3/8 x 5-7/8	700	.38	.35	.20	37
VMB_07	18 x 24 x 6	17-3/8 x 23-3/8 x 5-7/8	750	.38	.35	.20	40
VMB_06	16 x 25 x 6	15-3/8 x 24-3/8 x 5-7/8	700	.38	.35	.20	37
VMB_05	16 x 20 x 6	15-3/8 x 19-3/8 x 5-7/8	550	.38	.35	.20	28
VMB_01	12 x 24 x 6	11-3/8 x 23-3/8 x 5-7/8	500	.38	.35	.20	25

* - Insert Filter Efficiency Code to Complete Model Number (9 = 90-95%, 8 = 80-85%, 6 = 60-65%)
 Example: VMB-904 is 90-95%, 24x24x12 Nominal Size

STANDARD CONSTRUCTION

1. High Efficiency, Microglass Paper Media
2. Corrugated Aluminum Separators With Rolled Edges
3. High Loft Microglass Wrap Around Media Pack
4. 24 Gauge Galvanized Steel Cell Sides
5. Header on Air Entering Side: Single Piece U-Channel
6. Expanded Metal Grid on Air Leaving Side

NOTES

1. Average Efficiency, MERV
 90-95% ASHRAE 52.1-1992, MERV 14 ASHRAE 52.2-1999
 80-85% ASHRAE 52.1-1992, MERV 13 ASHRAE 52.2-1999
 60-65% ASHRAE 52.1-1992, MERV 11 ASHRAE 52.2-1999
2. Final Resistance: 1.5" W.G.
3. Rated Velocity 12" Deep - 500 FPM
4. Rated Velocity 6" Deep - 250 FPM
5. Class 1 Filter Per U.L. Standard 900
6. Maximum Operating Temperature: 350 deg. F
7. Optional Gasket Available
 U - Upstream Gasket (Ex: VMB-904-U)
 D - Downstream Gasket
 UD- Both Sides
8. Reverse Pleat Orientation Available
 Add "-R" to Model Number (Ex: VMB-904-R)
9. Optional 1-1/8" Header ("C" Header) Available
 Add "-C" Onto The Model Number (Ex: VMB-904-C)
10. Special Sizes Available

AIRGUARD ONE SOURCE FOR AIR FILTRATION PRODUCTS
A CHUCK COMPANY

P.O. Box 32578
 Louisville, KY 40232
 P: 502-969-2304
 F: 502-961-0930

CONTACT FACTORY TO
 VERIFY REVISION LEVEL

TOLERANCES
 UNLESS OTHERWISE SPECIFIED

- FRACTIONAL
- DECIMAL
- ANGLES

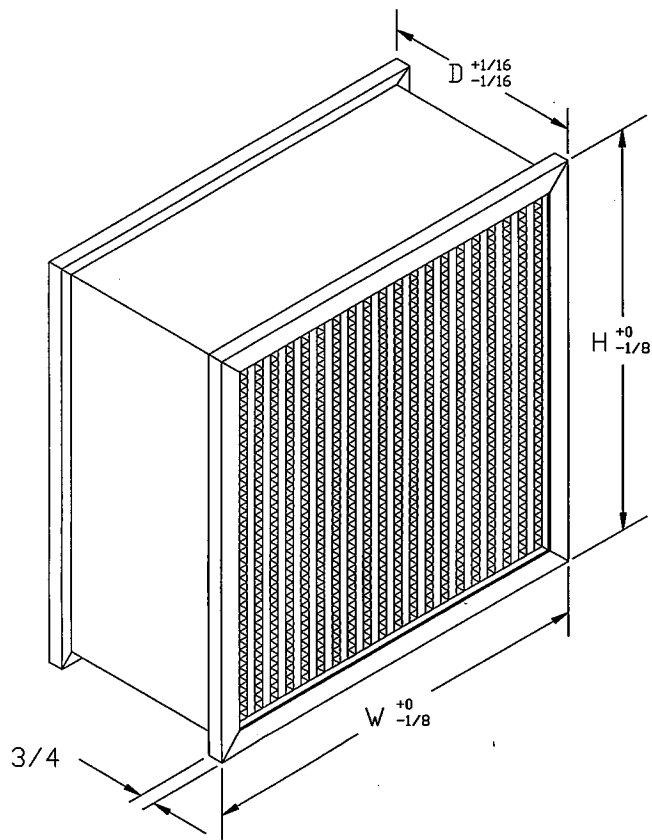
ALL DIMENSIONS IN INCHES

DRAWING NAME
VARIFLOW VMB (METAL SINGLE HEADER)

APPROVED BY *K. Quinn* SPECIFICATION NO. MKT-B-00134 PAGE 1 OF 1

SCALE NONE DWG. SIZE A REVISION C REVISION DATE 11-17-05

CONFIDENTIAL - DO NOT COPY. THIS MATERIAL IS TRADE SECRET AND PROPRIETARY BEING EXCLUSIVELY OWNED BY AIRGUARD. THE EXPRESSION OF THE INFORMATION CONTAINED HEREIN IS PROTECTED UNDER FEDERAL COPYRIGHT LAWS AND ALL COPYING IS PROHIBITED AND MAY BE SUBJECT TO CRIMINAL PENALTIES.



Model Number*	Nominal Size (Inches) W x H x D	Actual Size (Inches) W x H x D	Rated Air Flow (CFM)	Initial Resistance (IN W.G.)			Media Area (Square Feet)
				90-95%	80-85%	60-65%	
VMC_04	24 x 24 x 12	23-3/8 x 23-3/8 x 11-1/2	2000	.65	.55	.40	124
VMC_12	20 x 25 x 12	19-3/8 x 24-3/8 x 11-1/2	1750	.65	.55	.40	106
VMC_15	20 x 24 x 12	19-3/8 x 23-3/8 x 11-1/2	1650	.65	.55	.40	102
VMC_13	20 x 20 x 12	19-3/8 x 19-3/8 x 11-1/2	1400	.65	.55	.40	83
VMC_11	18 x 24 x 12	17-3/8 x 23-3/8 x 11-1/2	1500	.65	.55	.40	89
VMC_10	16 x 25 x 12	15-3/8 x 24-3/8 x 11-1/2	1400	.65	.55	.40	81
VMC_09	16 x 20 x 12	15-3/8 x 19-3/8 x 11-1/2	1100	.65	.55	.40	63
VMC_03	12 x 24 x 12	11-3/8 x 23-3/8 x 11-1/2	1000	.65	.55	.40	56
VMC_02	24 x 24 x 6	23-3/8 x 23-3/8 x 5-7/8	1000	.38	.35	.20	56
VMC_08	20 x 25 x 6	19-3/8 x 24-3/8 x 5-7/8	875	.38	.35	.20	48
VMC_16	20 x 24 x 6	19-3/8 x 23-3/8 x 5-7/8	825	.38	.35	.20	46
VMC_14	20 x 20 x 6	19-3/8 x 19-3/8 x 5-7/8	700	.38	.35	.20	37
VMC_07	18 x 24 x 6	17-3/8 x 23-3/8 x 5-7/8	750	.38	.35	.20	40
VMC_06	16 x 25 x 6	15-3/8 x 24-3/8 x 5-7/8	700	.38	.35	.20	37
VMC_05	16 x 20 x 6	15-3/8 x 19-3/8 x 5-7/8	550	.38	.35	.20	28
VMC_01	12 x 24 x 6	11-3/8 x 23-3/8 x 5-7/8	500	.38	.35	.20	25

* - Insert Filter Efficiency Code (9 = 90-95%, 8 = 80-85%, 6 = 60-65%). Example: VMC-904 is 90-95%, 24x24x12 Nominal Size

STANDARD CONSTRUCTION

1. High Efficiency, Microglass Paper Media
2. Corrugated Aluminum Separators With Rolled Edges
3. High Loft Microglass Wrap Around Media Pack
4. 24 Gauge Galvanized Steel Cell Sides
5. Header on Both Sides: Single Piece U-Channel
6. Expanded Metal Grid on Air Leaving Side

NOTES

1. Average Efficiency, MERV (52.2)
90-95% ASHRAE 52.1-1992, MERV 14 ASHRAE 52.2-1999
80-85% ASHRAE 52.1-1992, MERV 13 ASHRAE 52.2-1999
60-65% ASHRAE 52.1-1992, MERV 11 ASHRAE 52.2-1999
2. Final Resistance: 1.5" W.G.
3. Rated Velocity 12" Deep - 500 FPM
4. Rated Velocity 6" Deep - 250 FPM
5. Class 1 Filter Per U.L. Standard 900
6. Maximum Operating Temperature: 350 deg. F
7. Optional Gasket Available
U - Upstream Gasket (Ex: VMC-904-U)
D - Downstream Gasket
UD - Both Sides
8. Reverse Pleat Orientation Available
Add "-R" to Model Number (Ex: VMC-904-R)
9. Special Sizes Available



P.O. Box 32578
Louisville, KY 40232
P: 502-969-2304
F: 502-961-0930

CONTACT FACTORY TO
VERIFY REVISION LEVEL

TOLERANCES UNLESS OTHERWISE SPECIFIED

FRACTIONAL
DECIMAL
ANGLES

ALL DIMENSIONS IN INCHES

DRAWING NAME

VARIFLOW VMC (METAL DOUBLE HEADER)

APPROVED BY

R. Owen

SPECIFICATION NO.

MKT-B-00137

PAGE

1 OF 1

SCALE

NONE

DWG. SIZE

A

REVISION

C

REVISION DATE

11-17-05

CONFIDENTIAL - DO NOT COPY. THIS MATERIAL IS TRADE SECRET AND PROPRIETARY BEING EXCLUSIVELY OWNED BY AIRGUARD. THE EXPRESSION OF THE INFORMATION CONTAINED HEREIN IS PROTECTED UNDER FEDERAL COPYRIGHT LAWS AND ALL COPYING IS PROHIBITED AND MAY BE SUBJECT TO CRIMINAL PENALTIES.