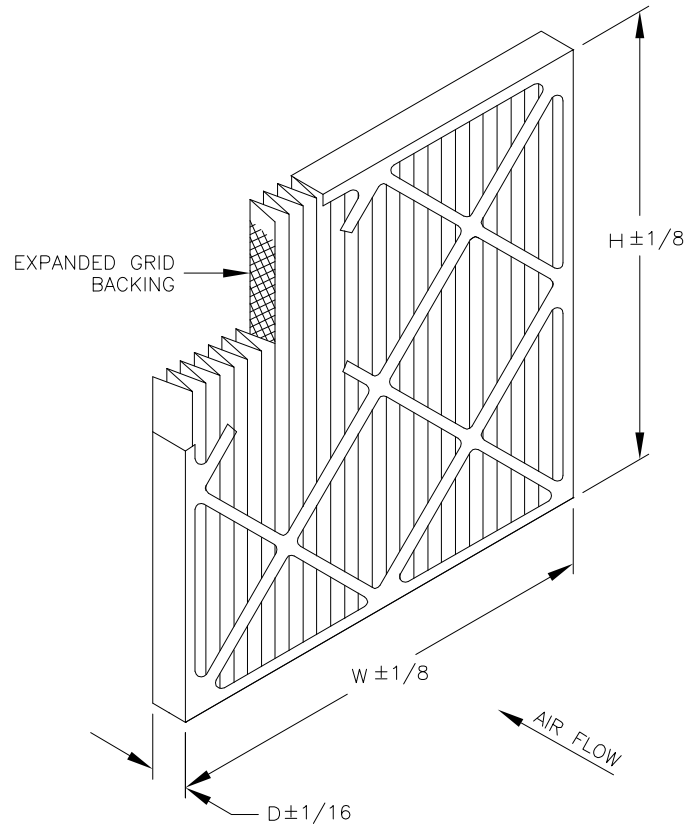


Model Number	Nominal Size (Inches) W x H x D	Actual Size (Inches) W x H x D	Rated Air Flow (CFM)	Initial Resistance (In. W.G.)	Media Area (Square Feet)
DP1-STD2-210	12 x 24 x 2	11-3/8 x 23-3/8 x 1-3/4	1000	.40	8.0
DP1-STD2-201	16 x 20 x 2	15-1/2 x 19-1/2 x 1-3/4	1085	.40	9.9
DP1-STD2-202	16 x 25 x 2	15-1/2 x 24-1/2 x 1-3/4	1420	.40	12.3
DP1-STD2-203	20 x 20 x 2	19-1/2 x 19-1/2 x 1-3/4	1420	.40	11.9
DP1-STD2-204	20 x 25 x 2	19-1/2 x 24-1/2 x 1-3/4	1755	.40	14.9
DP1-STD2-205	24 x 24 x 2	23-3/8 x 23-3/8 x 1-3/4	2000	.40	17.9
DP1-STD4-403	20 x 20 x 4	19-1/2 x 19-1/2 x 3-3/4	1420	.35	18.8
DP1-STD4-405	24 x 24 x 4	23-3/8 x 23-3/8 x 3-3/4	2000	.35	27.4



STANDARD CONSTRUCTION

1. Yellow High-Loft Fiberglass Media
2. Expanded Metal Pleat Supports
3. Non-Flammable Board Frame
4. Double Wall Frame
5. High Temperature Adhesive

NOTES

1. MERV 8 per ASHRAE 52.2-2007
2. Tested at 492 FPM on 24x24x2 face size
3. Final Resistance: 1.0" W.G.
4. Rated Velocity: 500 FPM
5. Class 1 Filter Per U.L. Standard 900
6. Maximum Operating Temperature: 200 deg. F

	100 River Ridge Circle Jeffersonville, IN 47130 P: 866-247-4827 F: 502-961-0930 www.airguard.com
	CONTACT FACTORY TO VERIFY REVISION LEVEL

TOLERANCES	
UNLESS OTHERWISE SPECIFIED	
FRACTIONAL	-
DECIMAL	-
ANGLES	-
ALL DIMENSIONS IN INCHES	

DRAWING NAME			
TYPE DP-40 U.L. CLASS 1			
APPROVED BY	<i>K. Quinn</i>	SPECIFICATION NO.	PAGE
		MKT-B-00161	1 OF 1
SCALE	DWG. SIZE	REVISION	REVISION DATE
NONE	A	G	01-04-12
CONFIDENTIAL - DO NOT COPY. THIS MATERIAL IS TRADE SECRET AND PROPRIETARY BEING EXCLUSIVELY OWNED BY CLC AIR. THE EXPRESSION OF THE INFORMATION CONTAINED HEREIN IS PROTECTED UNDER FEDERAL COPYRIGHT LAWS AND ALL COPYING IS PROHIBITED AND MAY BE SUBJECT TO CRIMINAL PENALTIES.			