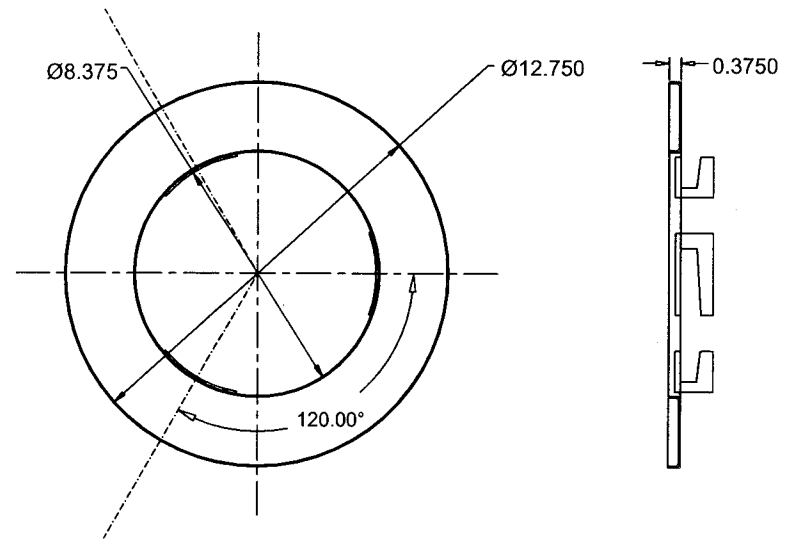


Item Number	Description	Length (L) (Inches)	Media Area (Square Feet)
1271235	AG61-1234-109	34	296

NOTES

1. 80/20 Cellulose/Polyester Blend
2. Maximum Temperature: 180 deg. F
3. Top & Bottom End caps:
22 GA Electro Galvanized
Open/Closed
4. Inner & Outer Retainers:
22 GA Electro Galvanized Expanded Metal
72% Open Area



END CAP DETAIL

ONE SOURCE FOR AIR FILTRATION PRODUCTS	P.O. Box 32578 Louisville, KY 40232 P: 502-969-2304 F: 502-961-0930	TOLERANCES UNLESS OTHERWISE SPECIFIED	DRAWING NAME TWIST LOCK OPEN-CLOSED 12.75 OD
	CONTACT FACTORY TO VERIFY REVISION LEVEL	FRACTIONAL DECIMAL ANGLES	APPROVED BY <i>K. Quinn</i> SCALE NONE DWG. SIZE A
		CONFIDENTIAL - DO NOT COPY. THIS MATERIAL IS TRADE SECRET AND PROPRIETARY BEING EXCLUSIVELY OWNED BY AIRGUARD. THE EXPRESSION OF THE INFORMATION CONTAINED HEREIN IS PROTECTED UNDER FEDERAL COPYRIGHT LAWS AND ALL COPYING IS PROHIBITED AND MAY BE SUBJECT TO CRIMINAL PENALTIES.	

ALL DIMENSIONS IN INCHES