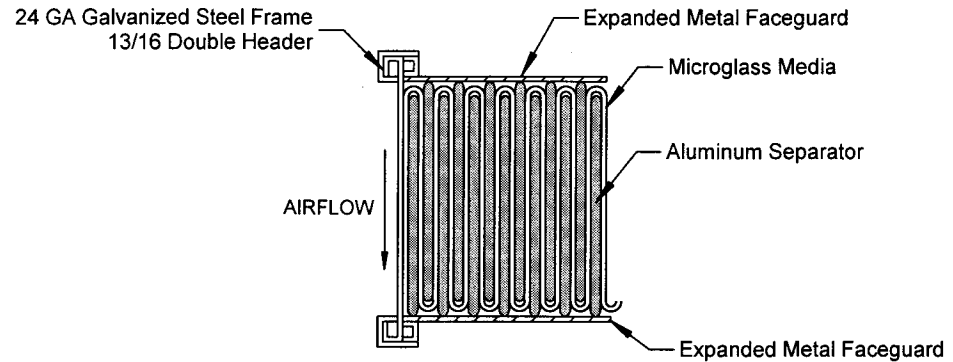
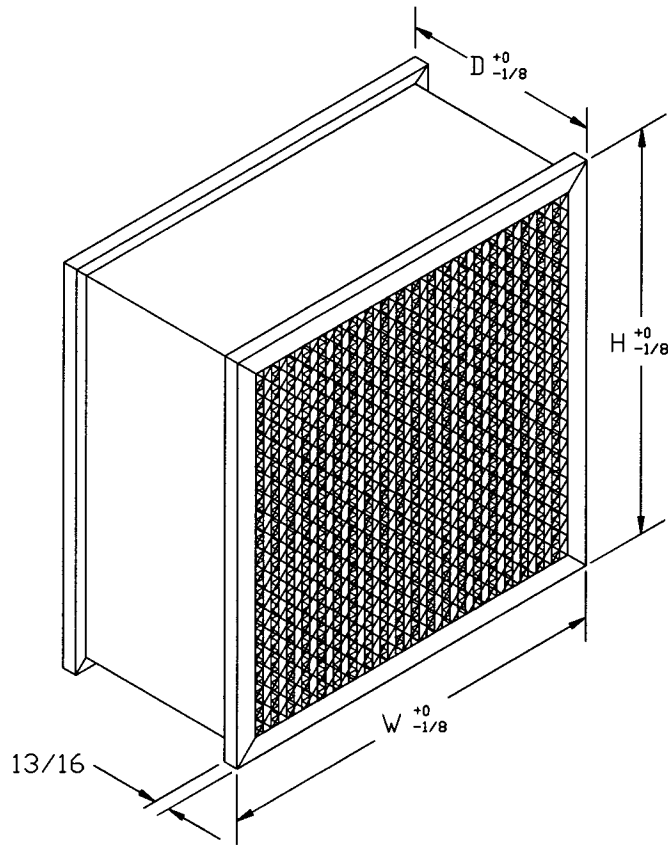


Model Number	Nominal Size (Inches) W x H x D	Actual Size (Inches) W x H x D	Rated Air Flow (CFM)	Initial Resistance (IN W.G.)		Media Area (Square Feet)
				90-95%	60-65%	
D*-2-XL	24 x 24 x 12	23-3/8 x 23-3/8 x 11-1/2	2500	.95	.72	152
D*-25-XL	24 x 12 x 12	23-3/8 x 11-3/8 x 11-1/2	1250	.95	.72	76
D*-1-XL	24 x 24 x 6	23-3/8 x 23-3/8 x 5-7/8	1250	.95	.72	70
D*-15-XL	24 x 12 x 6	23-3/8 x 12-3/8 x 5-7/8	635	.95	.72	53
D*-2	24 x 24 x 12	23-3/8 x 23-3/8 x 11-1/2	2000	.70	.45	114
D*-25	24 x 12 x 12	23-3/8 x 11-3/8 x 11-1/2	1000	.70	.45	57
D*-1	24 x 24 x 6	23-3/8 x 23-3/8 x 5-7/8	1000	.70	.45	53
D*-15	24 x 12 x 6	23-3/8 x 12-3/8 x 5-7/8	500	.70	.45	26
D*-35	20 x 20 x 5	19-3/8 x 19-3/8 x 4-7/8	700	.70	.45	30

* - Filter Efficiency (90 = 90-95%, 60 = 60-65%)



Cell Side Detail

STANDARD CONSTRUCTION

1. High Efficiency, Microglass Paper Media
2. Corrugated Aluminum Separators With Rolled Edges
3. High Loft Microglass Wrap Around Media Pack
4. 24 Gauge Galvanized Steel Cell Sides
5. Header on Both Sides: Single Piece U-Channel
6. Expanded Metal Grid Both Sides
7. Caulking on Top and Bottom of Media Pack on Air Entering Side
8. Neoprene Gasket on Air-Leaving Side

NOTES

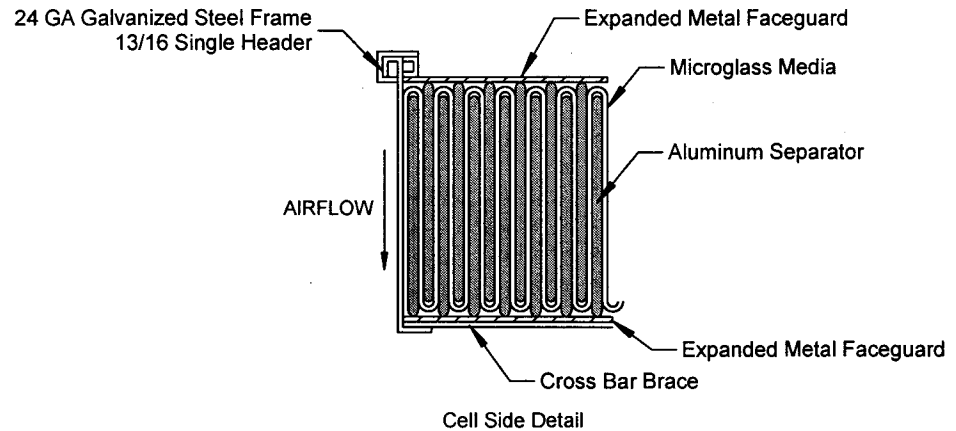
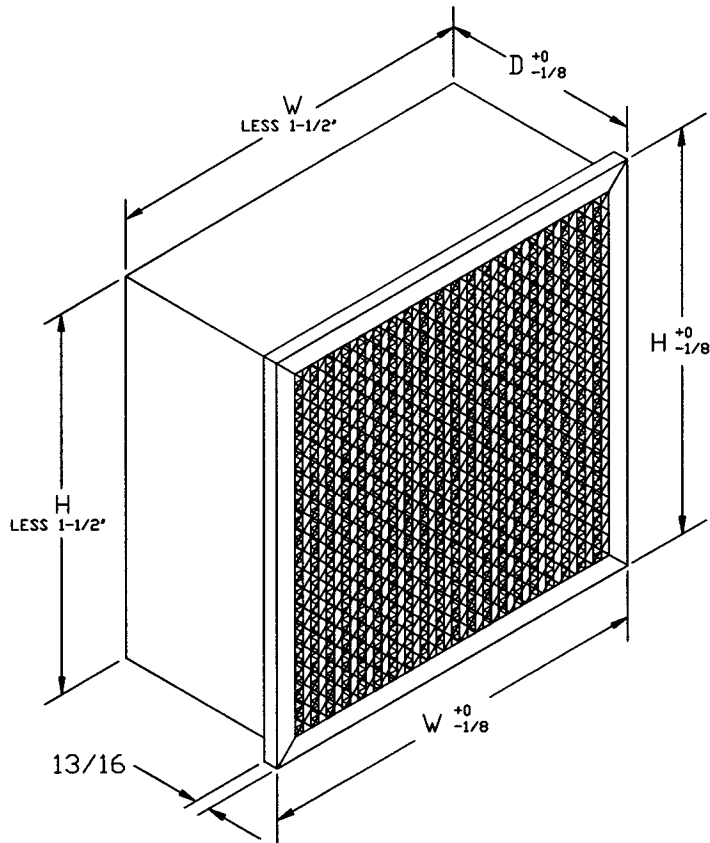
1. Final Resistance: 2.5" W.G.
2. Rated Velocity 12" XL Series - 625 FPM
Rated Velocity 6" XL Series - 312 FPM
Rated Velocity 12" D Series - 500 FPM
Rated Velocity 6" D Series - 250 FPM
3. Burst Strength - 25" W.G.
4. Class 1 Filter Per U.L. Standard 900
5. Maximum Operating Temperature: 350 deg. F
6. Optional Upstream Gasket Available (Ex: D90-2-XL)

<p>ONE SOURCE FOR AIR FILTRATION PRODUCTS</p> <p>P.O. Box 32578 Louisville, KY 40232 P: 502-969-2304 F: 502-961-0930</p>	<p>TOLERANCES UNLESS OTHERWISE SPECIFIED</p> <p>FRACTIONAL</p> <p>DECIMAL</p> <p>ANGLES</p>		<p>DRAWING NAME</p> <p style="text-align: center;">DURAFLOW DOUBLE HEADER</p>	
	<p>CONTACT FACTORY TO VERIFY REVISION LEVEL</p>		<p>APPROVED BY <i>[Signature]</i> SPECIFICATION NO. MKT-B-00222 PAGE 1 OF 1</p> <p>SCALE NONE DWG. SIZE A REVISION A REVISION DATE 01-31-02</p> <p><small>CONFIDENTIAL - DO NOT COPY. THIS MATERIAL IS TRADE SECRET AND PROPRIETARY BEING EXCLUSIVELY OWNED BY AIRGUARD. THE EXPRESSION OF THE INFORMATION CONTAINED HEREIN IS PROTECTED UNDER FEDERAL COPYRIGHT LAWS AND ALL COPYING IS PROHIBITED AND MAY BE SUBJECT TO CRIMINAL PENALTIES.</small></p>	

ALL DIMENSIONS IN INCHES

Model Number	Nominal Size (Inches) W x H x D	Actual Size (Inches) W x H x D	Rated Air Flow (CFM)	Initial Resistance (IN W.G.)		Media Area (Square Feet)
				90-95%	60-65%	
D*-2-B-XL	24 x 24 x 12	23-3/8 x 23-3/8 x 11-1/2	2500	.95	.72	152
D*-25-B-XL	24 x 12 x 12	23-3/8 x 11-3/8 x 11-1/2	1250	.95	.72	76
D*-2-B	24 x 24 x 12	23-3/8 x 23-3/8 x 11-1/2	2000	.70	.45	114
D*-25-B	24 x 12 x 12	23-3/8 x 11-3/8 x 11-1/2	1000	.70	.45	57

* - Filter Efficiency (90 = 90-95%, 60 = 60-65%)



STANDARD CONSTRUCTION

1. High Efficiency, Microglass Paper Media
2. Corrugated Aluminum Separators With Rolled Edges
3. High Loft Microglass Wrap Around Media Pack
4. 24 Gauge Galvanized Steel Cell Sides
5. Header Air-Entering Side: Single Piece U-Channel
6. Expanded Metal Grid Both Sides
Cross-Bar Brace on Air-Laving Side
7. Neoprene Gasket on Air-Leaving Side

NOTES

1. Final Resistance: 2.5" W.G.
2. Rated Velocity 12" XL Series - 625 FPM
Rated Velocity 12" D Series - 500 FPM
3. Burst Strength - 25" W.G.
4. Class 1 Filter Per U.L. Standard 900
5. Maximum Operating Temperature: 350 deg. F
6. Optional Upstream Gasket Available (Ex: D90-2-B-XL-U)

AIRGUARD ONE SOURCE FOR AIR FILTRATION PRODUCTS
P.O. Box 32578
Louisville, KY 40232
P: 502-969-2304
F: 502-961-0930

CONTACT FACTORY TO
VERIFY REVISION LEVEL

TOLERANCES
UNLESS OTHERWISE SPECIFIED

- FRACTIONAL
- DECIMAL
- ANGLES

ALL DIMENSIONS IN INCHES

DRAWING NAME: **DURAFLOW SINGLE HEADER**

APPROVED BY: *K. Ch...* SPECIFICATION NO. MKT-B-00223 PAGE 1 OF 1

SCALE: NONE DWG. SIZE: A REVISION: NEW REVISION DATE: 05-02-01

CONFIDENTIAL - DO NOT COPY. THIS MATERIAL IS TRADE SECRET AND PROPRIETARY BEING EXCLUSIVELY OWNED BY AIRGUARD. THE EXPRESSION OF THE INFORMATION CONTAINED HEREIN IS PROTECTED UNDER FEDERAL COPYRIGHT LAWS AND ALL COPYING IS PROHIBITED AND MAY BE SUBJECT TO CRIMINAL PENALTIES.