

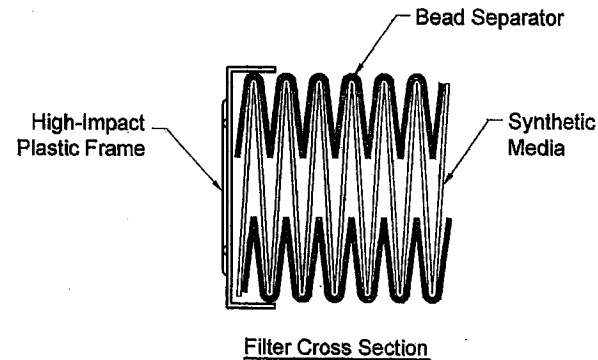
Model Number	Nominal Size (Inches) H x W x D	Actual Size (Inches) H x W x D	Rated Air Flow (CFM)	Initial Resistance (In. W.G.)	Media Area (Square Feet)
LG4 - 904	24 x 24 x 4	23-3/8 x 23-3/8 x 3-3/4	2000	0.46	49.1
LG4 - 912	20 x 25 x 4	19-3/8 x 24-3/8 x 3-3/4	1750	0.46	42.7
LG4 - 915	20 x 24 x 4	19-3/8 x 23-3/8 x 3-3/4	1650	0.46	40.9
LG4 - 913	20 x 20 x 4	19-3/8 x 19-3/8 x 3-3/4	1400	0.46	33.9
LG4 - 910	16 x 25 x 4	15-3/8 x 24-3/8 x 3-3/4	1400	0.46	34.1
LG4 - 909	16 x 20 x 4	15-3/8 x 19-3/8 x 3-3/4	1100	0.46	27.1
LG4 - 903	12 x 24 x 4	11-3/8 x 23-3/8 x 3-3/4	1000	0.46	23.4


STANDARD CONSTRUCTION

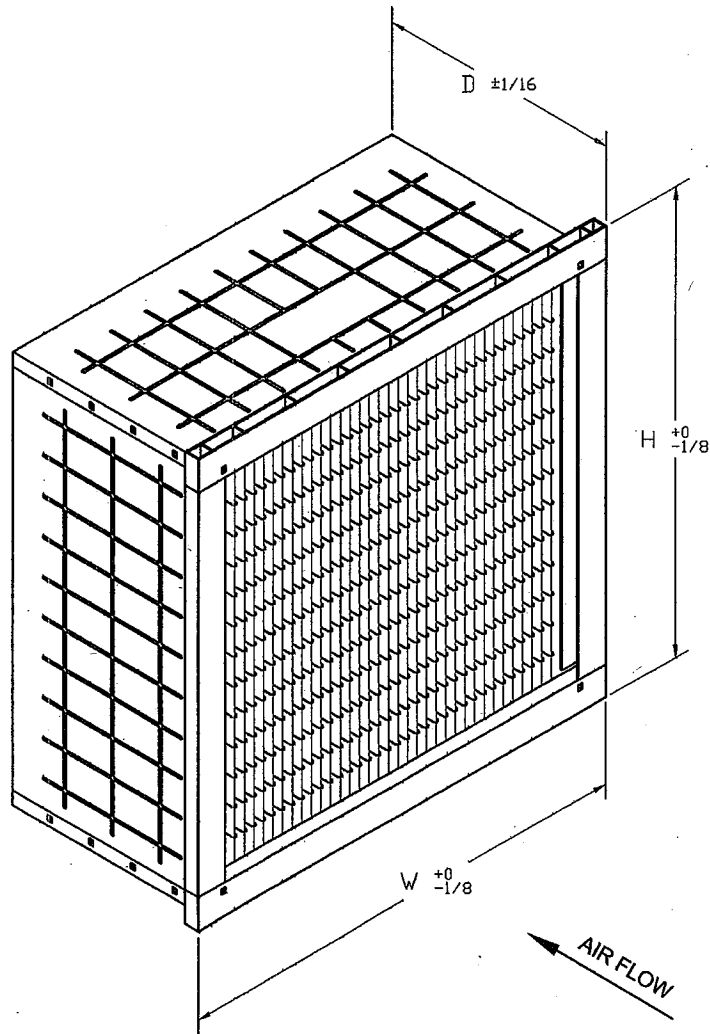
1. 100% Synthetic Media
 2. Bead Separator Packs
 3. High-Impact Plastic Frame Panels
 4. Foamed Hot Melt Sealant
 5. Reverse Air Flow Option Available
- Noted by 'R' in Model Number (Ex: LG4-904-R)

NOTES

1. MERV 14 ASHRAE 52.2-1999
2. Final Resistance: 1.5" W.G.
3. Rated Velocity - 500 FPM
4. Maximum Operating Temperature: 140 deg. F
5. Special Sizes Not Available



 <p>AIRGUARD a CLACOR company</p>	P.O. Box 32578 Louisville, KY 40232 P: 866-247-4827 F: 502-961-0930	TOLERANCES UNLESS OTHERWISE SPECIFIED		DRAWING NAME <h3 style="margin: 0;">4" LEGACY</h3>	
	CONTACT FACTORY TO VERIFY REVISION LEVEL	FRACTIONAL - DECIMAL - ANGLES -	APPROVED BY: <i>[Signature]</i>	SPECIFICATION NO. MKT-B-00527	PAGE 1 OF 1
		SCALE NONE	DWG. SIZE A	REVISION NEW	REVISION DATE 2-13-07
		CONFIDENTIAL -- DO NOT COPY. THIS MATERIAL IS TRADE SECRET AND PROPRIETARY BEING EXCLUSIVELY OWNED BY CLC AIR. THE EXPRESSION OF THE INFORMATION CONTAINED HEREIN IS PROTECTED UNDER FEDERAL COPYRIGHT LAWS AND ALL COPYING IS PROHIBITED AND MAY BE SUBJECT TO CRIMINAL PENALTIES.			
		ALL DIMENSIONS IN INCHES			



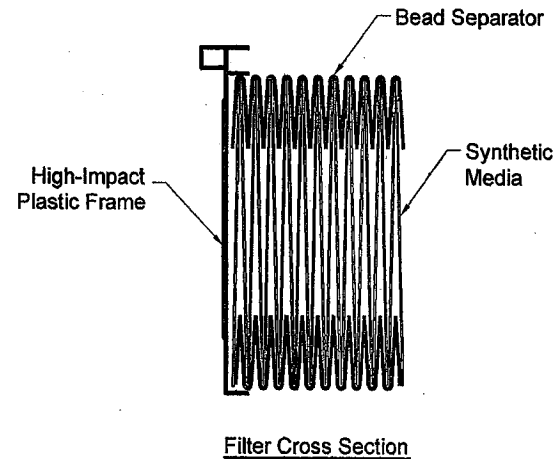
Model Number	Nominal Size (Inches) H x W x D	Actual Size (Inches) H x W x D	Rated Air Flow (CFM)	Initial Resistance (In. W.G.)	Media Area (Square Feet)
LG - 904	24 x 24 x 12	23-3/8 x 23-3/8 x 11-1/2	2000	0.35	101.5
LG - 915	20 x 24 x 12	19-3/8 x 23-3/8 x 11-1/2	1650	0.35	83.0
LG - 913	20 x 20 x 12	19-3/8 x 19-3/8 x 11-1/2	1400	0.35	67.7
LG - 903	12 x 24 x 12	11-3/8 x 23-3/8 x 11-1/2	1000	0.35	46.1



STANDARD CONSTRUCTION

1. 100% Synthetic Media
 2. Bead Separator Packs
 3. High-Impact Plastic Frame Panels
 4. Foamed Hot Melt Sealant
 5. Reverse Air Flow Option Available
- Noted by 'R' in Model Number (Ex: LG-904-R)

NOTES

1. MERV 15 ASHRAE 52.2-1999
2. Final Resistance: 1.5" W.G.
3. Rated Velocity - 500 FPM
4. Maximum Operating Temperature: 140 deg. F
5. Special Sizes Not Available



 <small>a CLAYCOR company</small>	P.O. Box 32578 Louisville, KY 40232 P: 866-247-4827 F: 502-961-0930	TOLERANCES UNLESS OTHERWISE SPECIFIED		DRAWING NAME 12" LEGACY				
	CONTACT FACTORY TO VERIFY REVISION LEVEL	FRACTIONAL - DECIMAL - ANGLES -	APPROVED BY 	SPECIFICATION NO. MKT-B-00528	PAGE 1 OF 1	SCALE NONE	DWG. SIZE A	REVISION NEW
		CONFIDENTIAL - DO NOT COPY. THIS MATERIAL IS TRADE SECRET AND PROPRIETARY BEING EXCLUSIVELY OWNED BY CLC AIR. THE EXPRESSION OF THE INFORMATION CONTAINED HEREIN IS PROTECTED UNDER FEDERAL COPYRIGHT LAWS AND ALL COPYING IS PROHIBITED AND MAY BE SUBJECT TO CRIMINAL PENALTIES.						