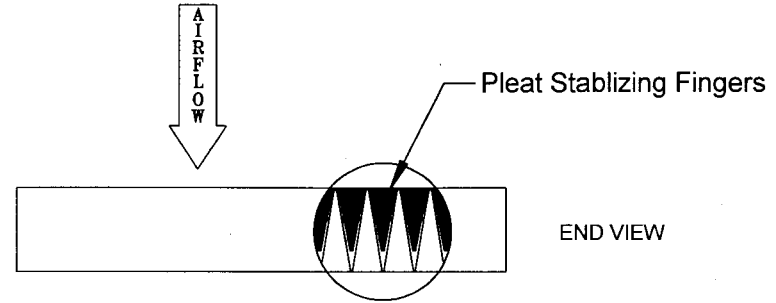
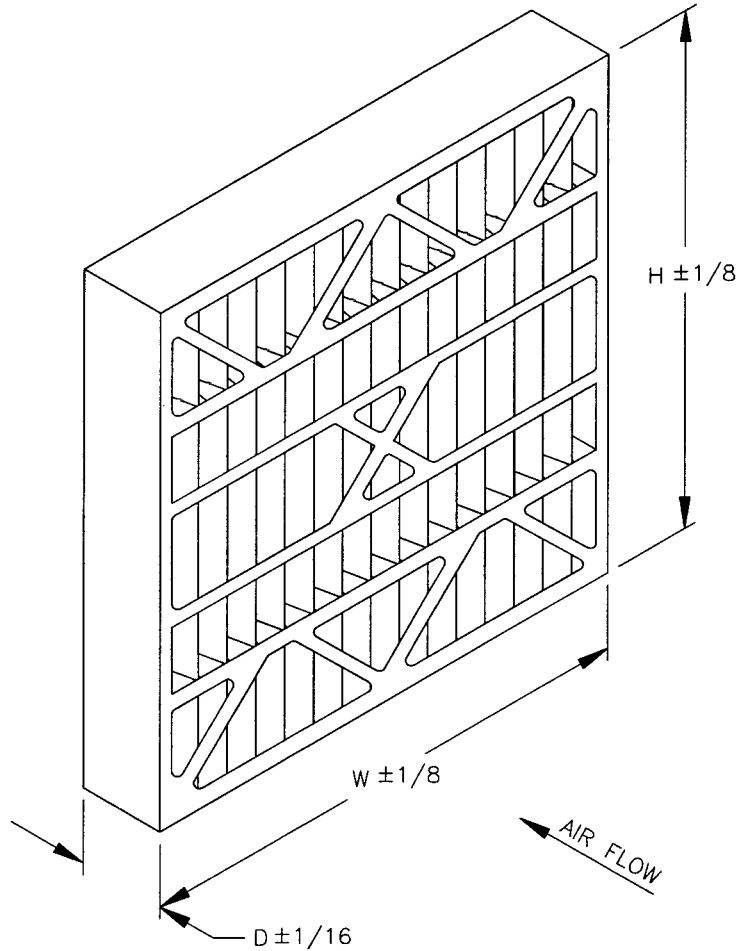


Model Number	Nominal Size (Inches) W x H x D	Actual Size (Inches) W x H x D	Rated Air Flow (CFM)	Initial Resistance (IN W.G.)	Media Area (Square Feet)
HW-520	12-1/2 x 20 x 4	12-1/2 x 20 x 4-3/8	520	.08	14.5
HW-501	16 x 20 x 4	16 x 19-3/4 x 4-3/8	660	.08	18.5
HW-503	20 x 20 x 4	19-3/4 x 20 x 4-3/8	830	.08	23.2
HW-504	20 x 25 x 4	20 x 24-7/8 x 4-3/8	1040	.08	28.9
HW-502	16 x 25 x 4	16 x 24-7/8 x 4-3/8	830	.08	23.2




STANDARD CONSTRUCTION

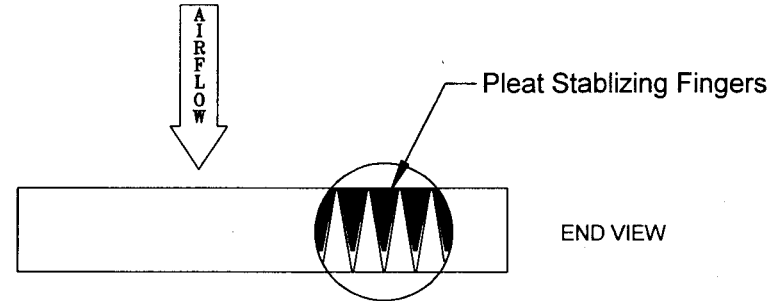
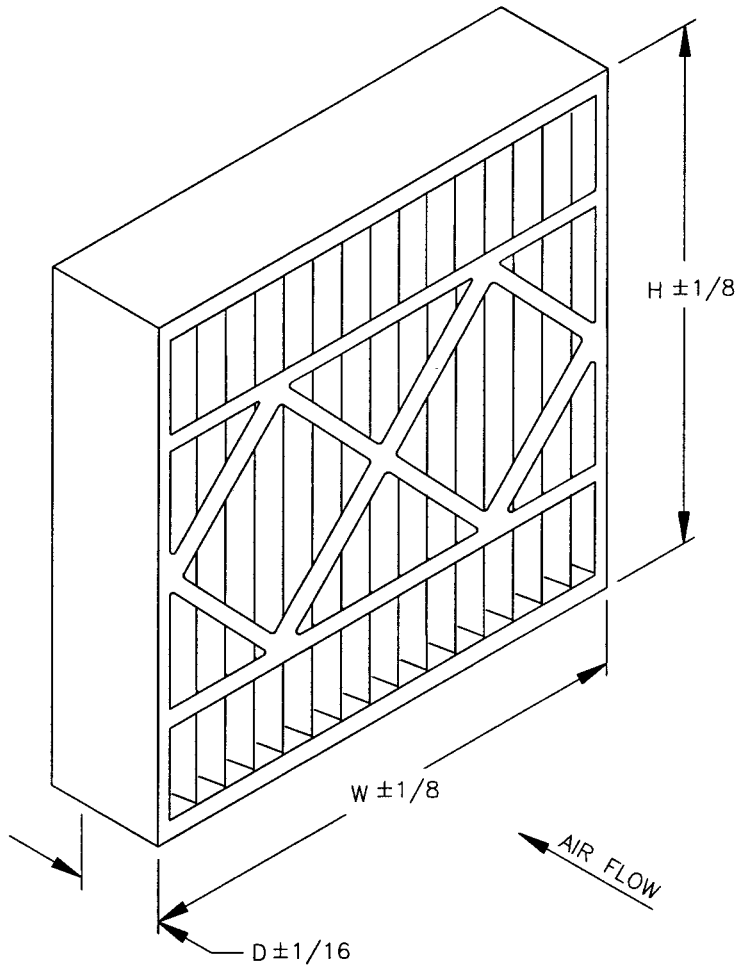
1. White Synthetic, Electrostatically Charged Media
2. 11.1 Pleats Per Foot
3. Expanded Metal Pleat Supports
4. Moisture Resistant Beverage Board Frame
5. Double Wall Frame
6. Pleat Stabilizing Fingers on Air Entering Side

NOTES

1. Average Efficiency: 30-35% ASHRAE 52.1-1992
MERV 8, ASHRAE 52.2-1999
2. Final Resistance: 1.0" W.G.
3. Rated Velocity: 300 FPM
4. Class 2 Filter Per U.L. Standard 900
5. Maximum Operating Temperature: 225 deg. F

 <p>ONE SOURCE FOR AIR FILTRATION PRODUCTS</p>	<p>P.O. Box 32578 Louisville, KY 40232 P: 502-969-2304 F: 502-961-0930</p>	TOLERANCES		DRAWING NAME		
		UNLESS OTHERWISE SPECIFIED		Honeywell Replacement Filter Media		
CONTACT FACTORY TO VERIFY REVISION LEVEL		FRACTIONAL	APPROVED BY <i>K. Chen</i>		SPECIFICATION NO.	PAGE
		DECIMAL	MKT-B-00269		1 OF 1	
ALL DIMENSIONS IN INCHES		ANGLES	SCALE	DWG. SIZE	REVISION	REVISION DATE
		NONE	A	B	11-27-02	
<p>CONFIDENTIAL - DO NOT COPY. THIS MATERIAL IS TRADE SECRET AND PROPRIETARY BEING EXCLUSIVELY OWNED BY AIRGUARD. THE EXPRESSION OF THE INFORMATION CONTAINED HEREIN IS PROTECTED UNDER FEDERAL COPYRIGHT LAWS AND ALL COPYING IS PROHIBITED AND MAY BE SUBJECT TO CRIMINAL PENALTIES.</p>						

Model Number	Nominal Size (Inches) W x H x D	Actual Size (Inches) W x H x D	Rated Air Flow (CFM)	Initial Resistance (IN W.G.)	Media Area (Square Feet)
AB-504	20 x 25 x 5	19-5/8 x 24-1/8 x 4-7/8	1040	.08	28.0
AB-502	16 x 25 x 3	15-3/4 x 24-1/4 x 3	830	.12	14.9
AB-503	20 x 20 x 5	19-3/4 x 20-3/4 x 4-7/8	830	.08	22.4
AB-504-BIO	20 x 25 x 5	19-5/8 x 24-1/8 x 4-7/8	1040	.08	28.0
AB-502-BIO	16 x 25 x 3	15-3/4 x 24-1/4 x 3	830	.12	14.9
AB-502-BIO	16 x 25 x 3	19-3/4 x 20-3/4 x 4-7/8	830	.08	22.4




STANDARD CONSTRUCTION


1. White Synthetic, Electrostatically Charged High-Loft Media
2. 11.1 Pleats Per Foot
3. Expanded Metal Pleat Supports
4. Moisture Resistant Beverage Board Frame
5. Double Wall Frame
6. Pleat Stabilizing Fingers on Air Entering Side
7. Anti-Microbial Media Optional
Add '-BIO' to Model Number
(Ex: AB-504-BIO)

NOTES

1. Average Efficiency: 30-35% ASHRAE 52.1-1992
MERV 8, ASHRAE 52.2-1992
2. Final Resistance: 1.0" W.G.
3. Rated Velocity: 300 FPM
4. Class 2 Filter Per U.L. Standard 900
5. Maximum Operating Temperature: 225 deg. F

	ONE SOURCE FOR AIR FILTRATION PRODUCTS	P.O. Box 32578 Louisville, KY 40232 P: 502-969-2304 F: 502-961-0930
	CONTACT FACTORY TO VERIFY REVISION LEVEL	

TOLERANCES UNLESS OTHERWISE SPECIFIED		
FRACTIONAL		
DECIMAL		
ANGLES		
ALL DIMENSIONS IN INCHES		

DRAWING NAME			
Trion Replacement Filter Cartridges			
APPROVED BY		SPECIFICATION NO.	PAGE
		MKT-B-00270	1 OF 1
SCALE	DWG. SIZE	REVISION	REVISION DATE
NONE	A	A	11-27-02
<small>CONFIDENTIAL - DO NOT COPY. THIS MATERIAL IS TRADE SECRET AND PROPRIETARY BEING EXCLUSIVELY OWNED BY AIRGUARD. THE EXPRESSION OF THE INFORMATION CONTAINED HEREIN IS PROTECTED UNDER FEDERAL COPYRIGHT LAWS AND ALL COPYING IS PROHIBITED AND MAY BE SUBJECT TO CRIMINAL PENALTIES.</small>			